

# REVISION HISTORY

## Schematics Index:

P01: REVISION HISTORY  
P02: BLOCK  
P03: CPU  
P04: POWER  
P05: MISC  
P06: SDIO WIFI  
P07: USB

Revision History	Description	Date	Drawn	Checked	Approved
C.H.I.P. ALPHA	version 0.1	2015-03-30			
C.H.I.P. ALPHA	version 0.2	2015-07-10			
C.H.I.P. ALPHA	version 0.21	2015-08-10			

**NEXT/THING**  
COMPANY

*Oakland, California*  
*docs.nextthing.co*

Design Name

**C.H.I.P. ALPHA**

Size  
A3

Page Name

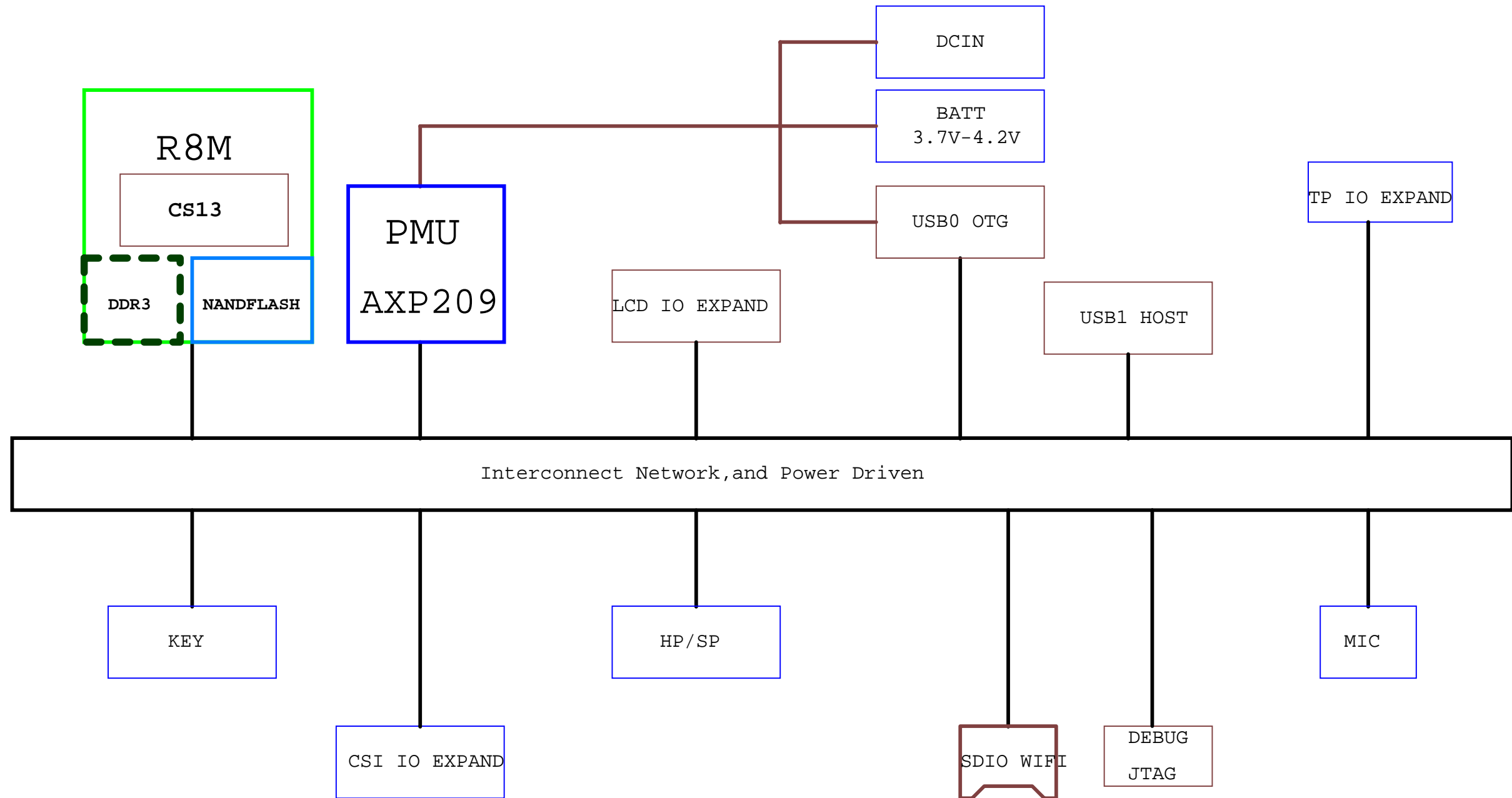
**REVISION HISTORY**

Rev  
v0.21

Date: Wednesday, August 12, 2015

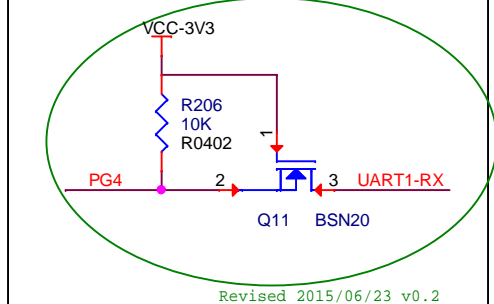
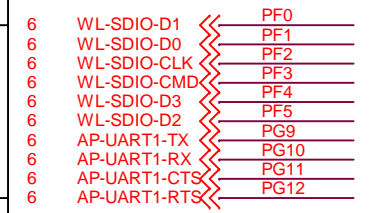
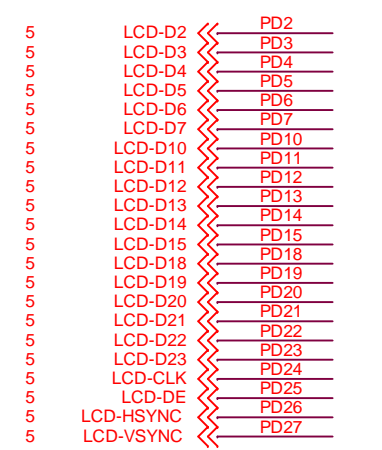
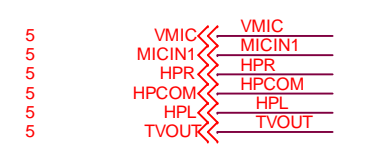
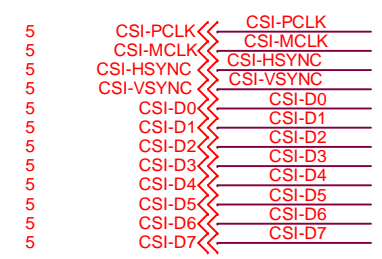
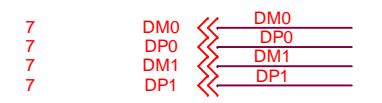
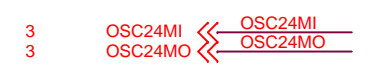
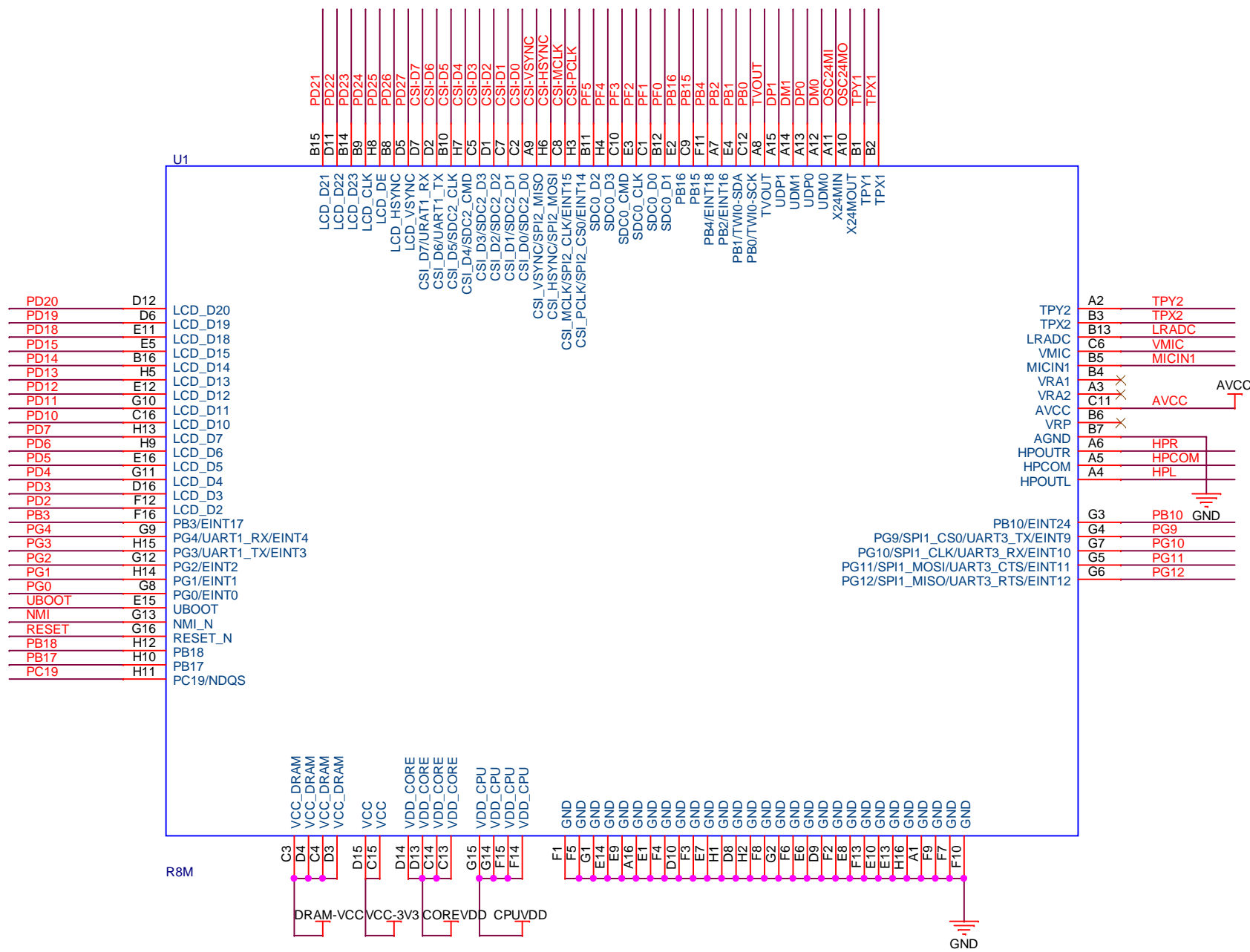
Sheet 1 of 7

# BLOCK

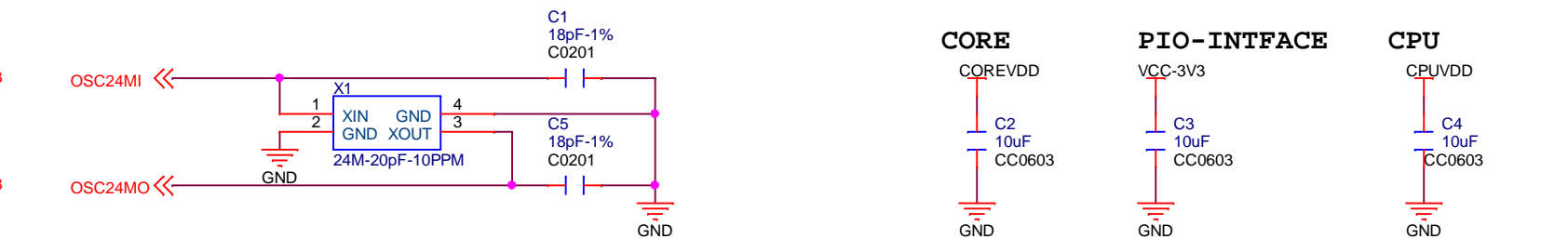


<b>NEXT/THING</b> COMPANY		
<i>Oakland, California</i> <i>docs.nextthing.co</i>		
Design Name <b>C.H.I.P. ALPHA</b>		
Size A3	Page Name <b>BLOCK</b>	Rev v0.21
Date: <i>Wednesday, August 12, 2015</i> Sheet 2 of 7		

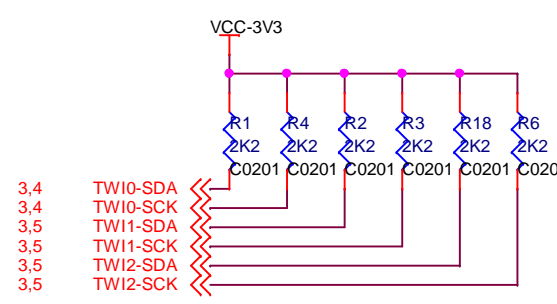
# CPU



## CRYSTAL



## OTHERS



## NEXT/THING COMPANY

Oakland, California  
docs.nextthing.co

Design Name: **C.H.I.P. ALPHA**

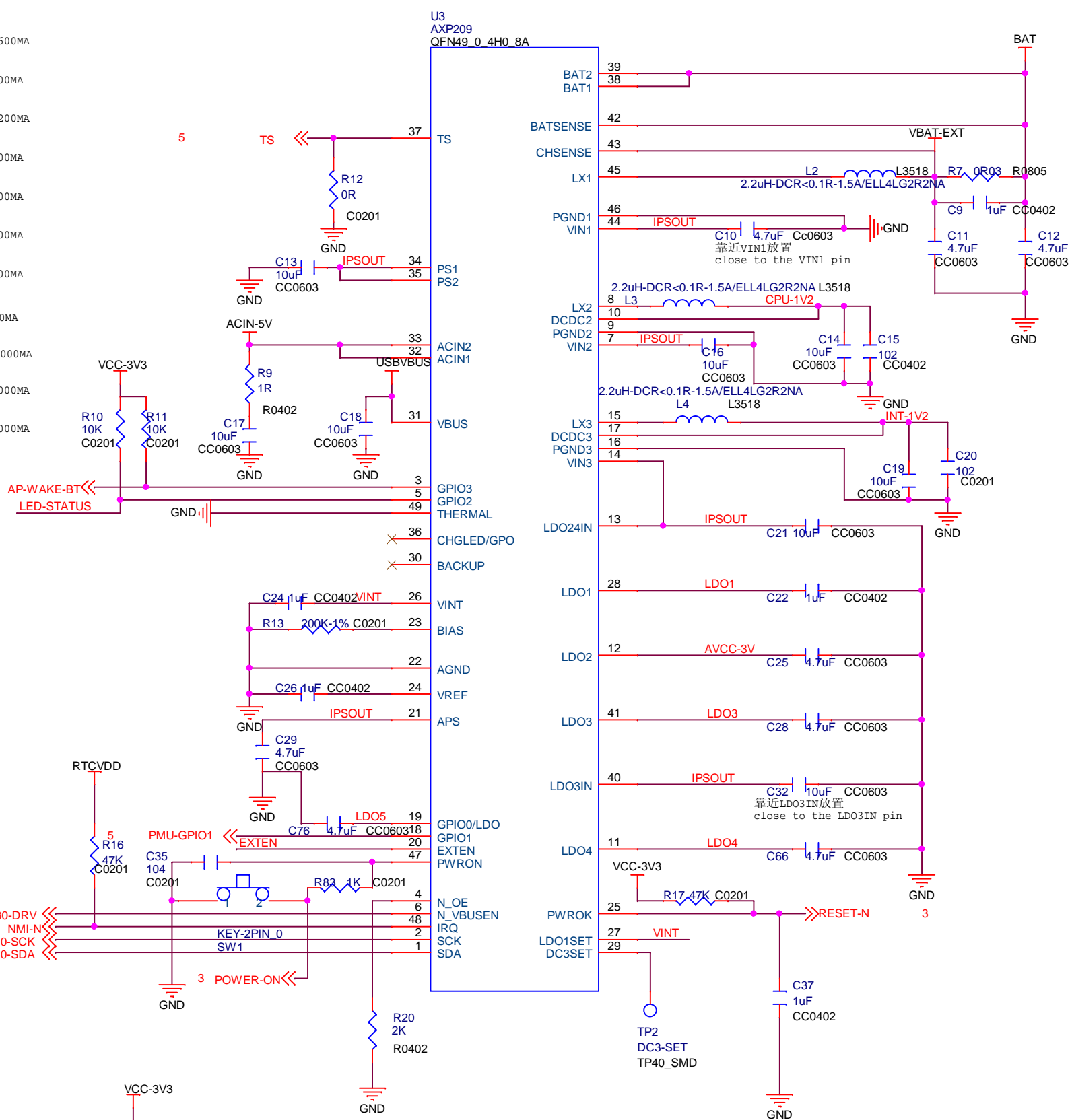
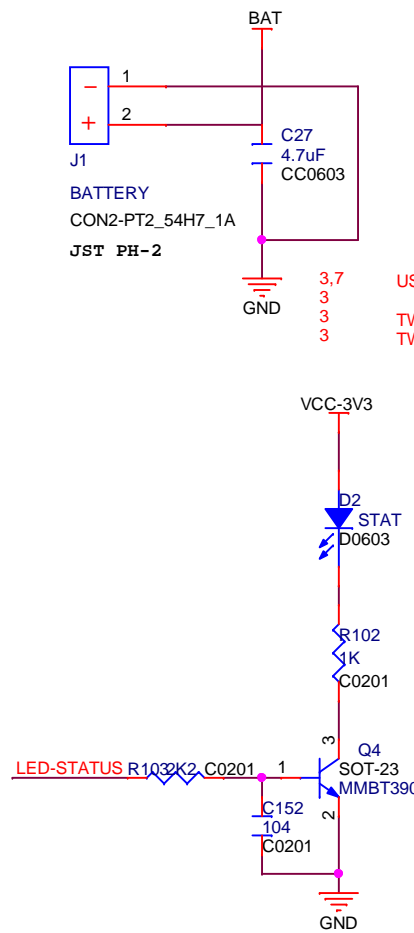
Size: A3 Page Name: **CPU** Rev: v0.21

Date: Wednesday, August 12, 2015 Sheet 3 of 7

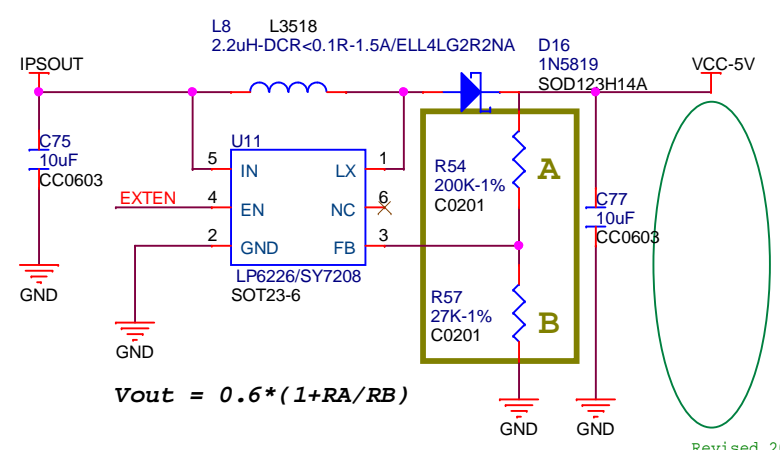
# POWER/PMU

COREVDD	INT-1V2	1600MA
AVCC	AVCC-3V	200MA
CPUVDD	CPU-1V2	1200MA
RTCVDD	LDO1	200MA
AVCC-3V	LDO2	200MA
LDO3	LDO3	200MA
LDO4	LDO4	200MA
VCC-1V8	LDO5	50MA
VCC-5V	VCC-5V	2000MA
VCC-3V3	VCC-3V3	1000MA
DRAM-VCC	DRAM-VCC	1000MA

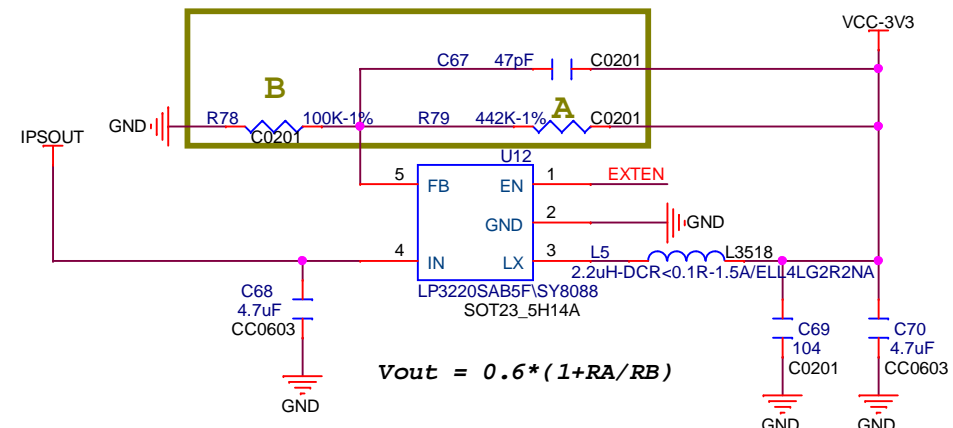
## BATTERY IN



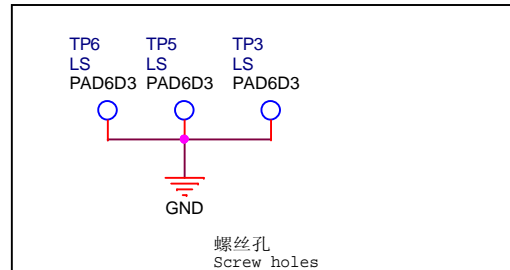
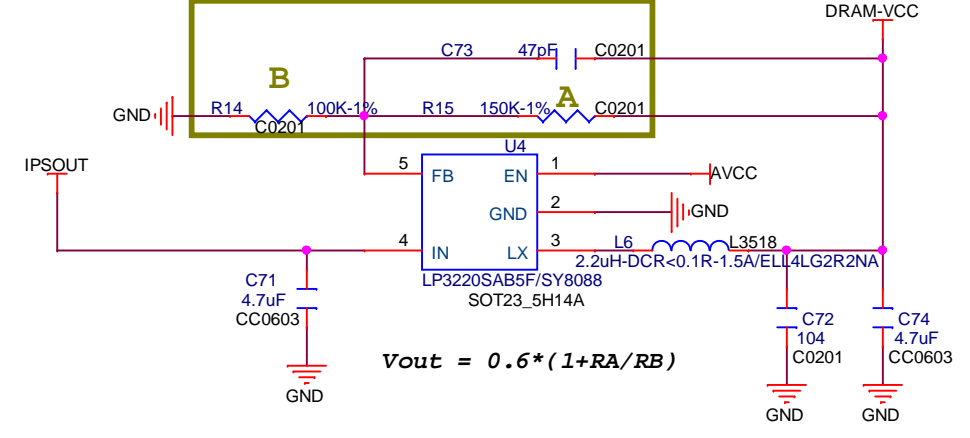
## IPSOUT TO 5V FOR SYS



## IPSOUT TO 3V3



## IPSOUT TO 1V6



## NEXT/THING COMPANY

*Oakland, California*  
[docs.nextthing.co](http://docs.nextthing.co)

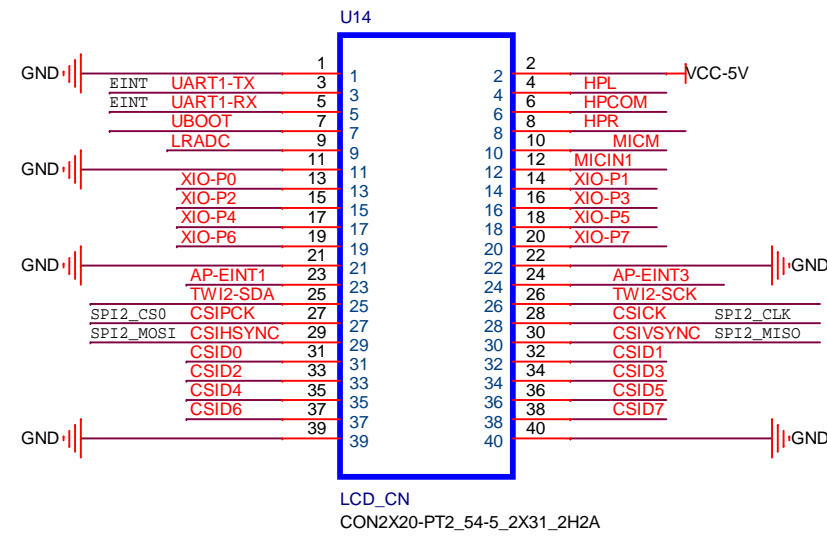
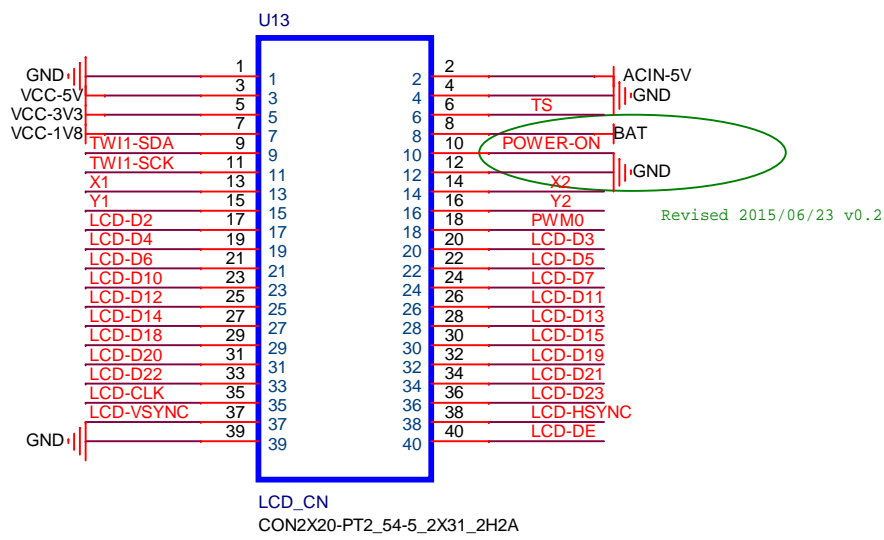
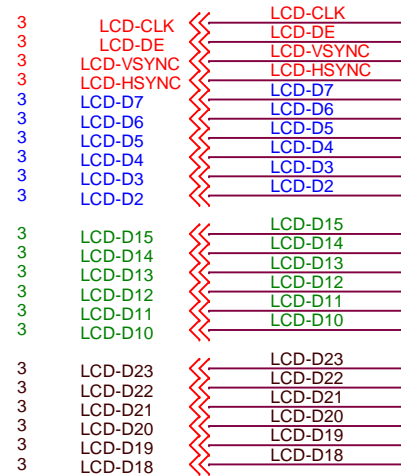
Design Name  
**C.H.I.P. ALPHA**

Size A3	Page Name <b>POWER</b>	Rev v0.21
------------	---------------------------	--------------

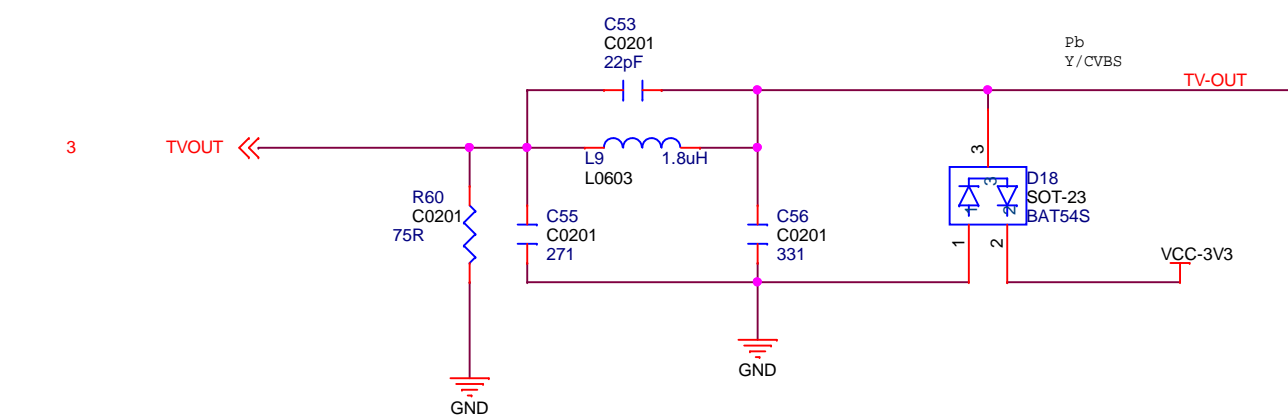
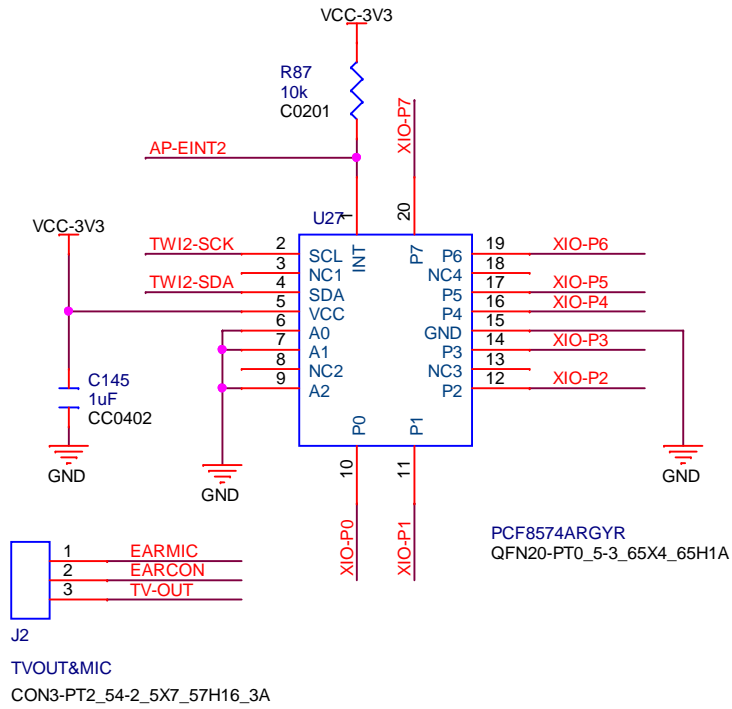
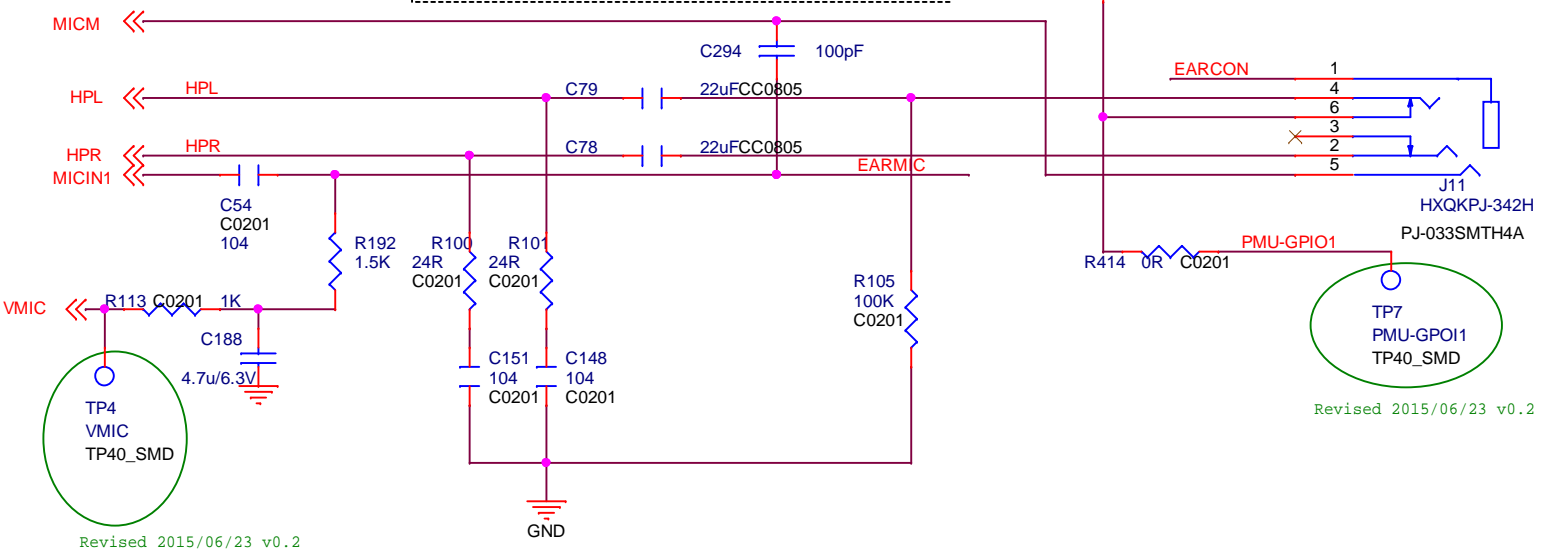
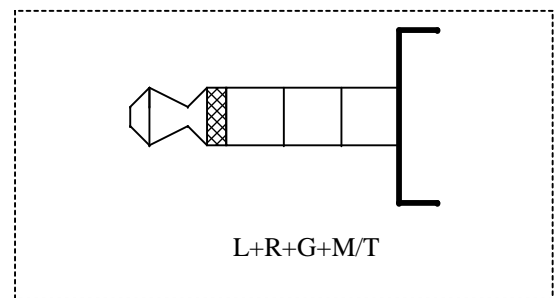
Date: **Wednesday, August 12, 2015** Sheet **4** of **7**

# MISC

3 POWER-ON ← POWER-ON



Note:  
TWI2 pin reused  
SPI2 pin reused



## NEXT/THING COMPANY

*Oakland, California*  
[docs.nextthing.co](http://docs.nextthing.co)

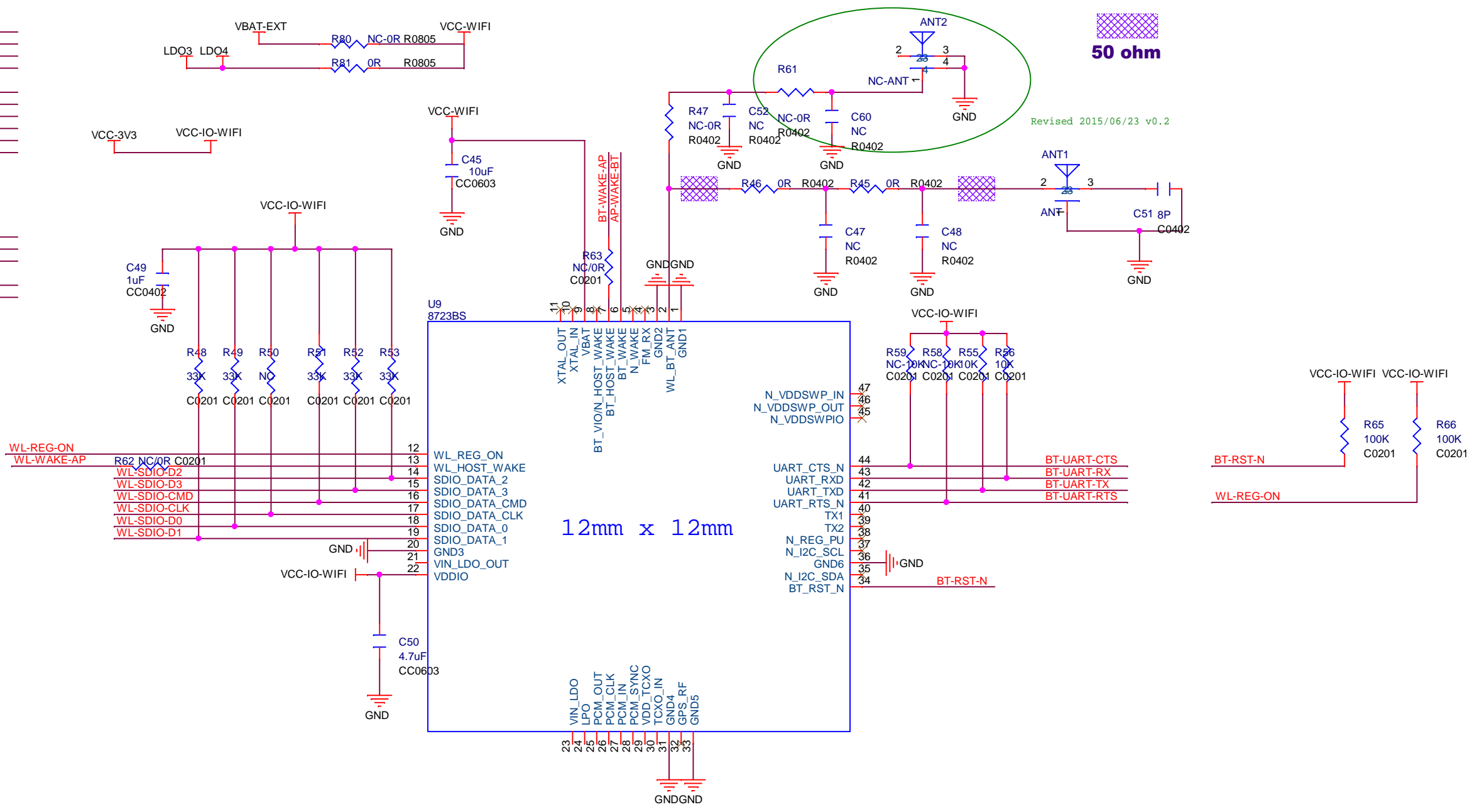
Design Name  
**C.H.I.P. ALPHA**

Size A3	Page Name <b>MISC</b>	Rev v0.21
------------	--------------------------	--------------

Date: Wednesday, August 12, 2015 Sheet 5 of 7

# SDIO WIFI&BT

- 3 AP-UART1-CTS <-> BT-UART-RTS
- 3 AP-UART1-RTS <-> BT-UART-CTS
- 3 AP-UART1-RX <-> BT-UART-TX
- 3 AP-UART1-TX <-> BT-UART-RX
  
- 3 WL-SDIO-D2 <-> WL-SDIO-D2
- 3 WL-SDIO-D3 <-> WL-SDIO-D3
- 3 WL-SDIO-CMD <-> WL-SDIO-CMD
- 3 WL-SDIO-CLK <-> WL-SDIO-CLK
- 3 WL-SDIO-D0 <-> WL-SDIO-D0
- 3 WL-SDIO-D1 <-> WL-SDIO-D1
  
- 3 WL-PMU-EN <-> WL-REG-ON
- 3 BT-RST-N <-> BT-RST-N
- 4 AP-WAKE-BT <-> AP-WAKE-BT
  
- 3 BT-WAKE-AP <-> BT-WAKE-AP
- 4 WL-WAKE-AP <-> WL-WAKE-AP



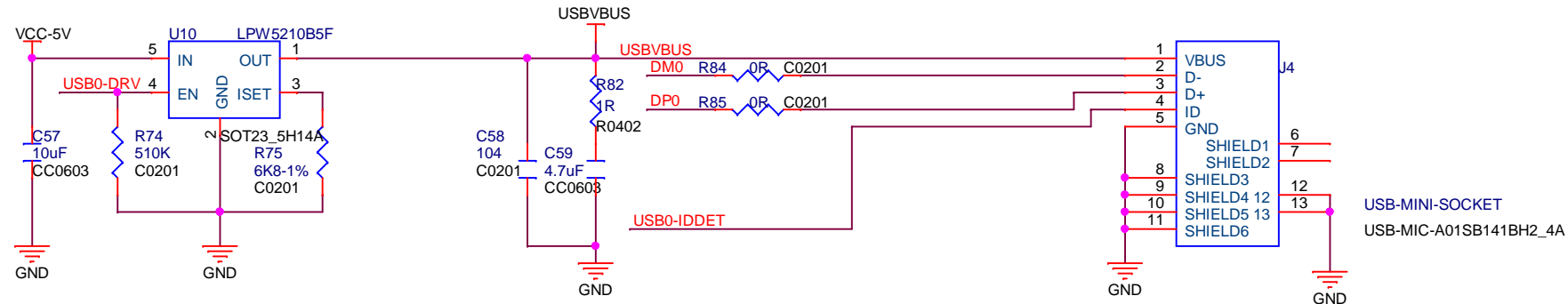
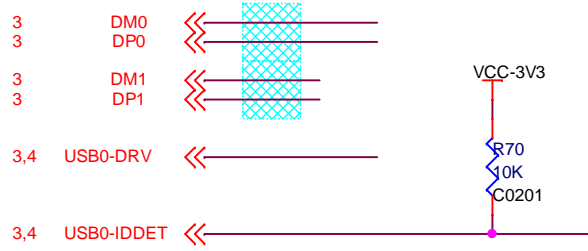
## NEXT/THING COMPANY

*Oakland, California*  
*docs.nextthing.co*

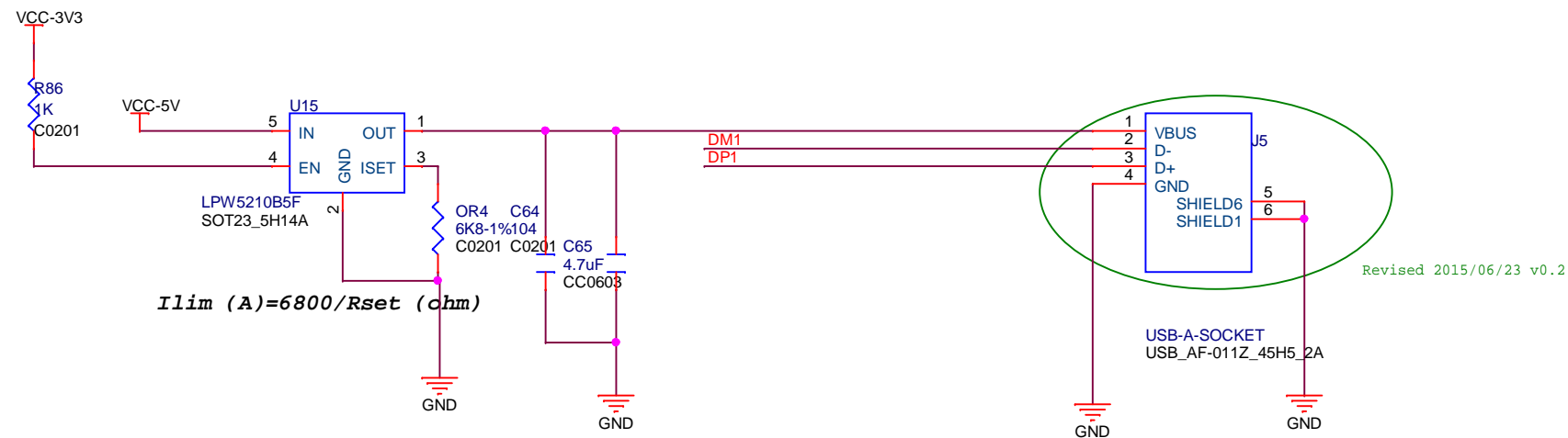
Design Name		<b>C.H.I.P. ALPHA</b>
Size	Page Name	Rev
A3	<b>SDIO WIFI&amp;BT</b>	v0.21
Date:	Wednesday, August 12, 2015	Sheet 6 of 7

# USB

## USB



D+/D-上的ESD器件寄生电容小于等于4pF(4pF包括了误差)。  
The parasitic capacitance of esd on D+/D- < 4pF



Revised 2015/06/23 v0.2

**NEXT/THING**  
COMPANY

Oakland, California  
docs.nextthing.co

Design Name		<b>C.H.I.P. ALPHA</b>	
Size	Page Name	Rev	
A3	<b>USB</b>	v0.21	
Date:	Wednesday, August 12, 2015	Sheet	7 of 7