

REVISION HISTORY

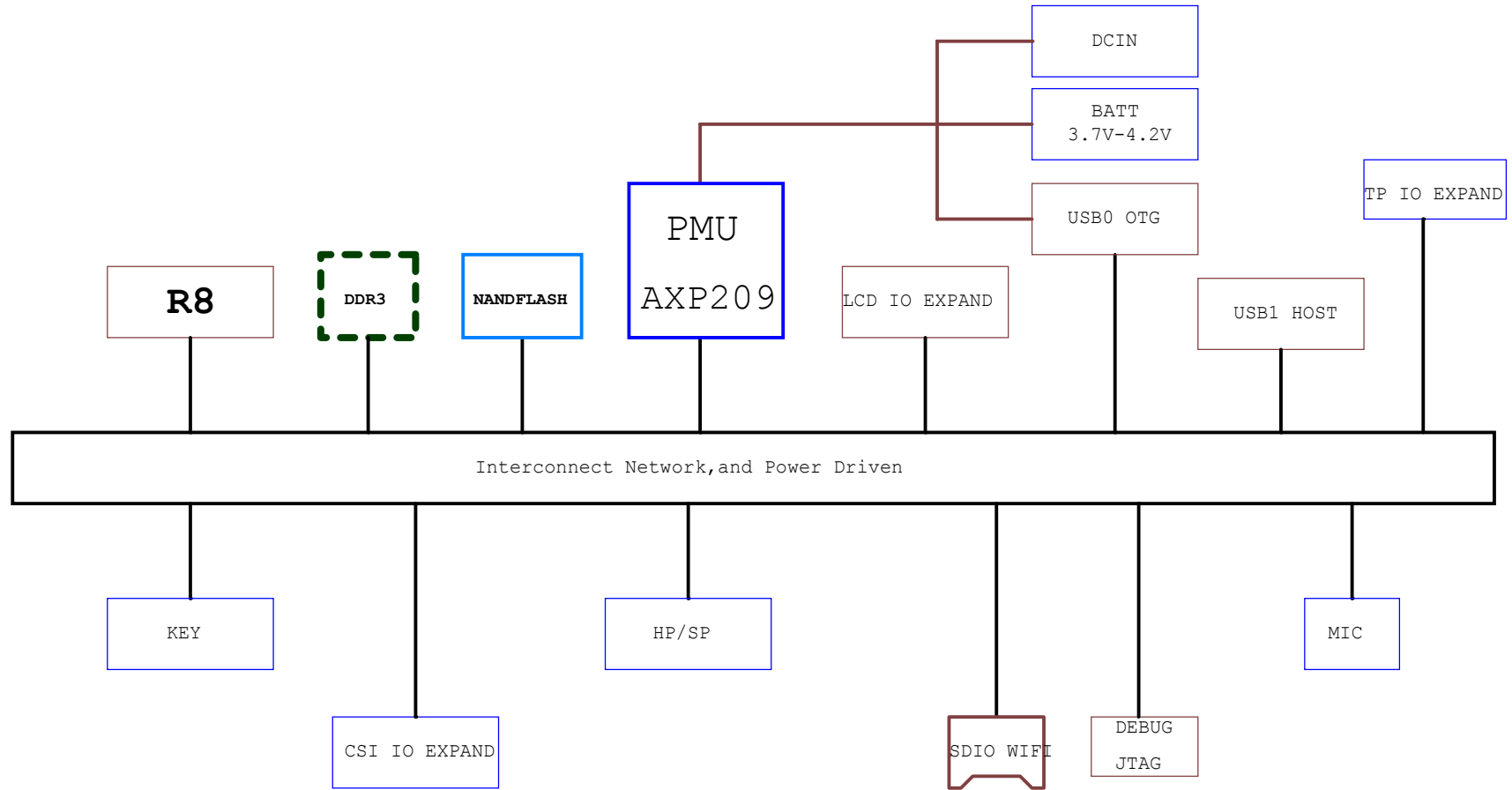
Schematics Index:

P01: REVISION HISTORY
P02: BLOCK
P03: CPU
P04: POWER
P05: MISC
P06: SDIO WIFI
P07: USB
P08: BESIDE CPU
P09: MEMORY

Revision History	Description	Date	Drawn	Checked	Approved
C.H.I.P. ALPHA	version 0.1	2015-03-30			
C.H.I.P. ALPHA	version 0.2	2015-07-10			
C.H.I.P. ALPHA	version 0.21	2015-08-10			
C.H.I.P.	version 0.9	2015-08-24			
C.H.I.P.	version 0.91	2015-10-16			
C.H.I.P.	version 1.0	2015-11-11			

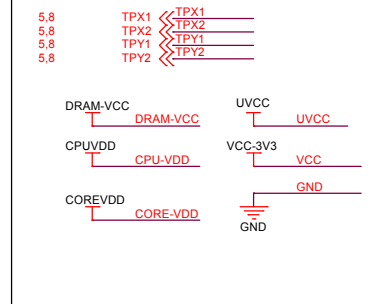
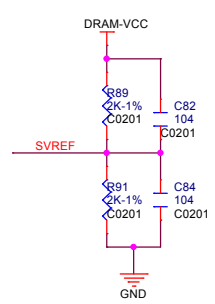
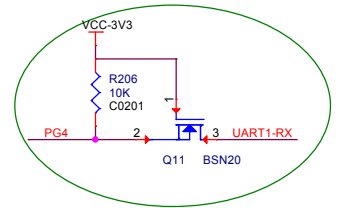
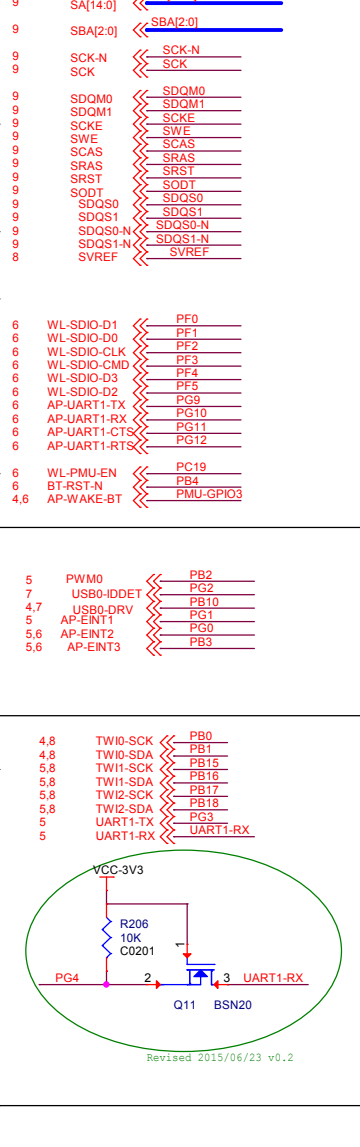
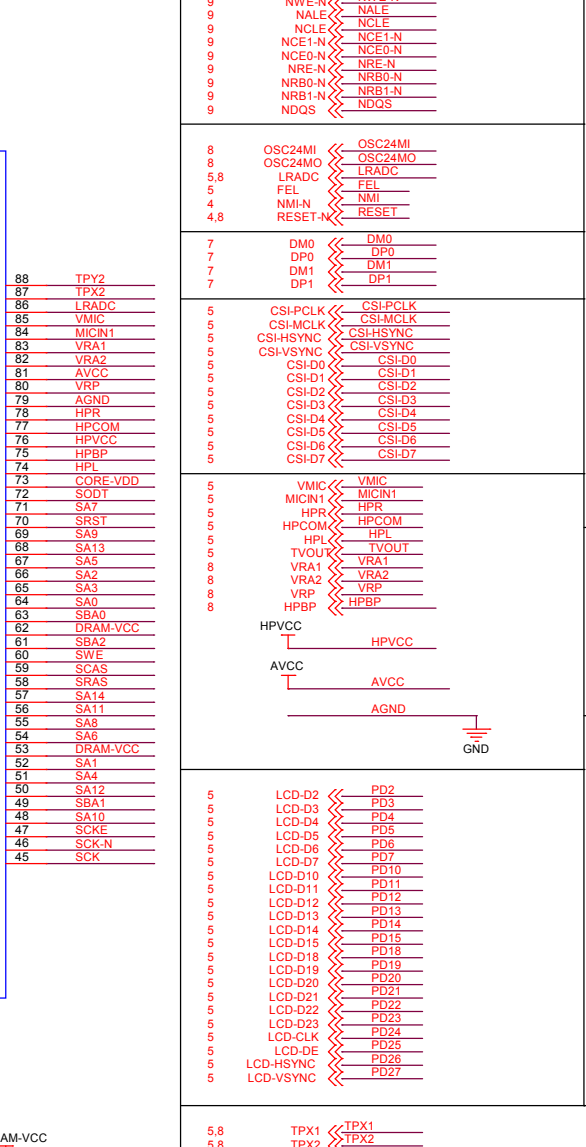
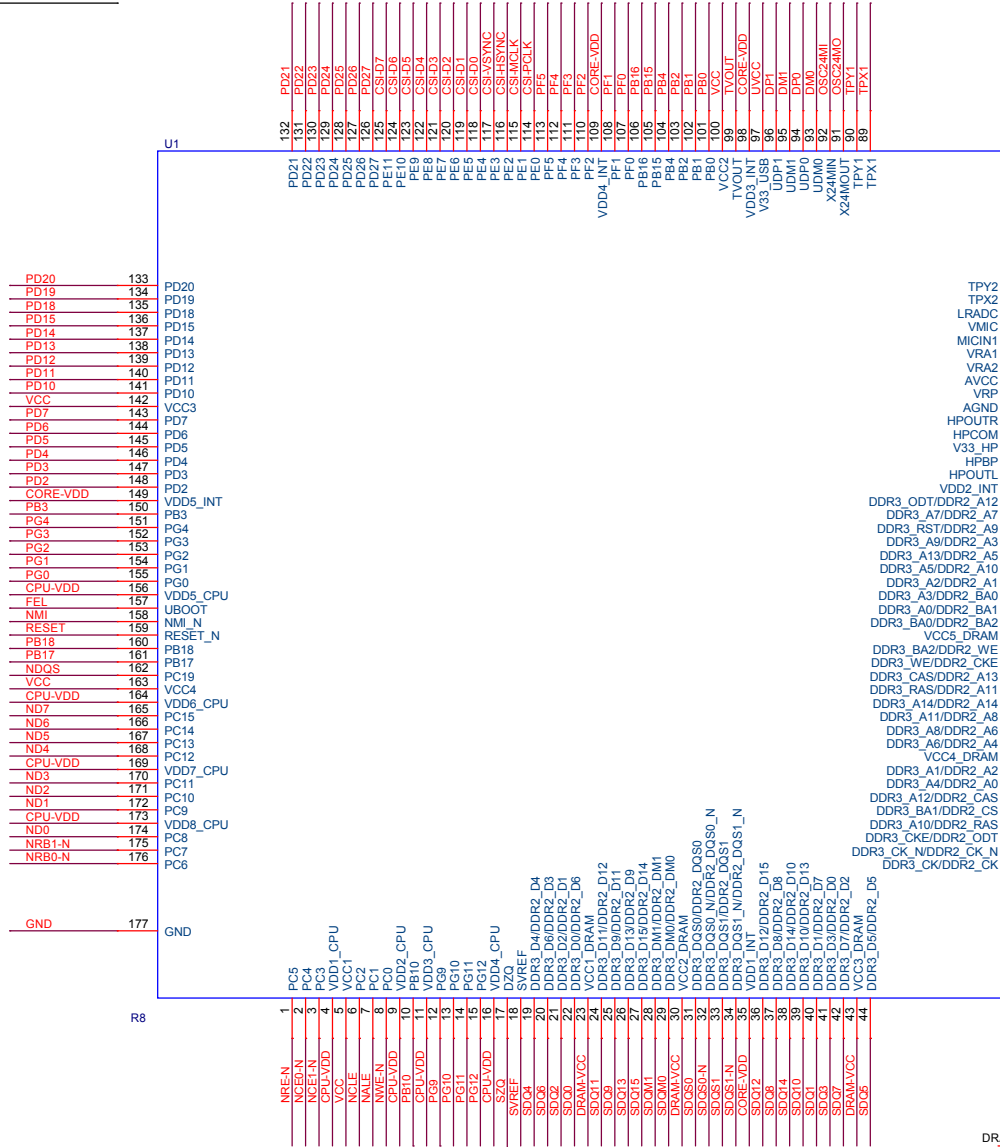
NEXT/THING COMPANY		
Oakland, California docs.nextthing.co		
Design Name C.H.I.P.		
Size A3	Page Name REVISION HISTORY	Rev v1.0
Date: Thursday, December 03, 2015 Sheet 1 of 9		

BLOCK



NEXT/THING COMPANY		
Oakland, California docs.nextthing.co		
Design Name C.H.I.P.		
Size A3	Page Name BLOCK	Rev v1.0
Date: Thursday, December 03, 2015 Sheet 2 of 9		

CPU



NEXT/THING COMPANY

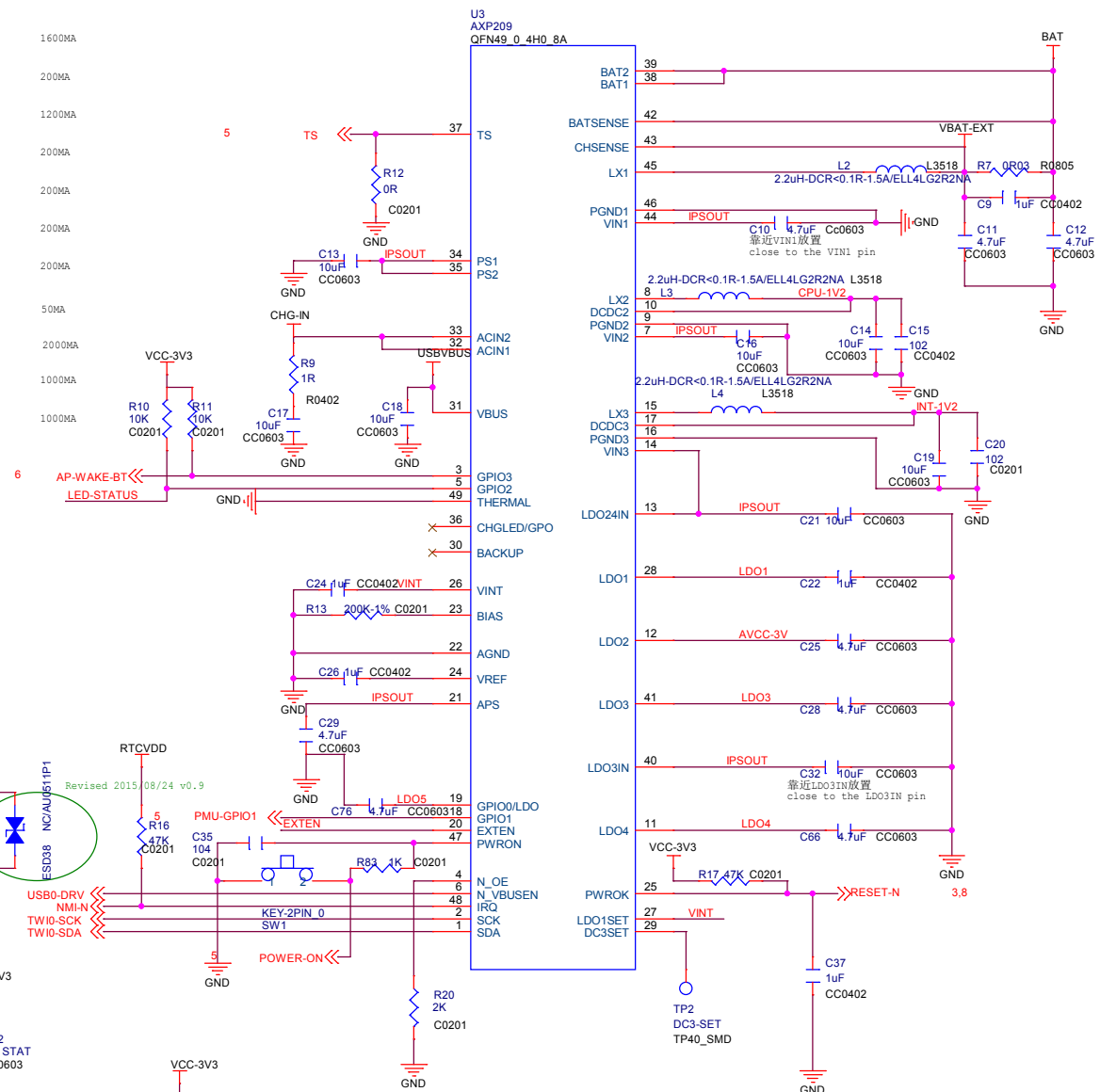
Oakland, California
docs.nextthing.co

Design Name: **C.H.I.P.**

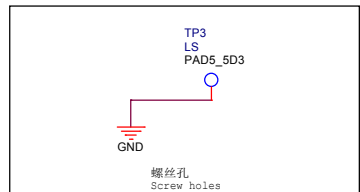
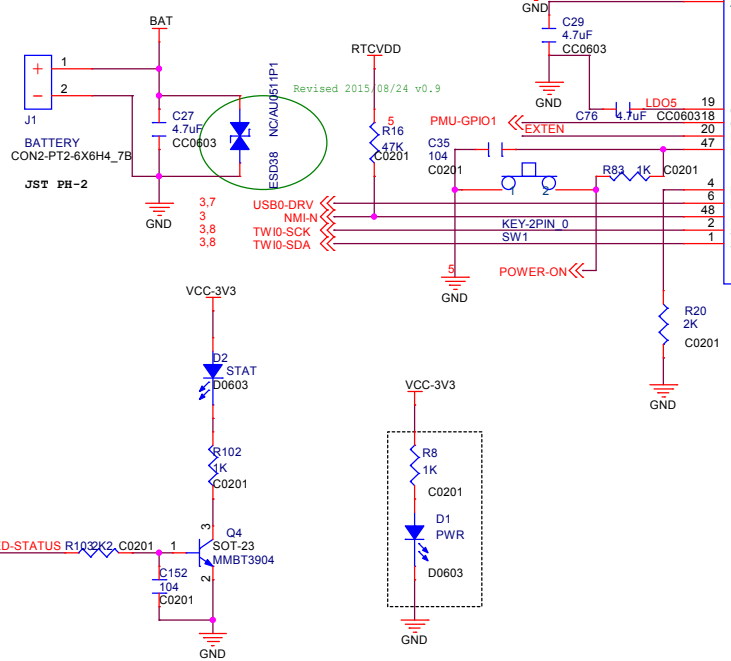
Size: A3	Page Name: CPU	Rev: v1.0
Date: Thursday, December 03, 2015		Sheet: 3 of 9

POWER/PMU

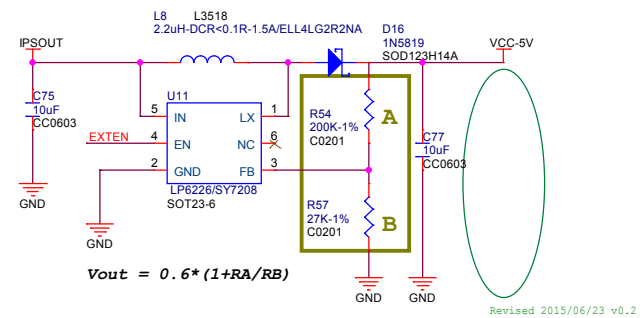
COREVDD	INT-1V2	1600MA
AVCC	AVCC-3V	200MA
CPUVDD	CPU-1V2	1200MA
RTCVDD	LDO1	200MA
AVCC-3V	LDO2	200MA
LDO3	LDO3	200MA
LDO4	LDO4	200MA
VCC-1V8	LDO5	50MA
VCC-5V	VCC-5V	2000MA
VCC-3V3	VCC-3V3	1000MA
DRAM-VCC	DRAM-VCC	1000MA



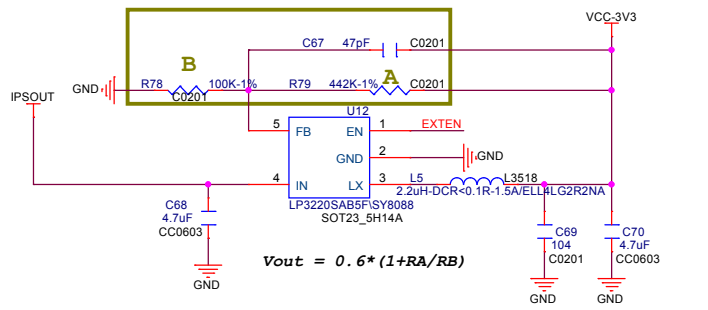
BATTERY IN



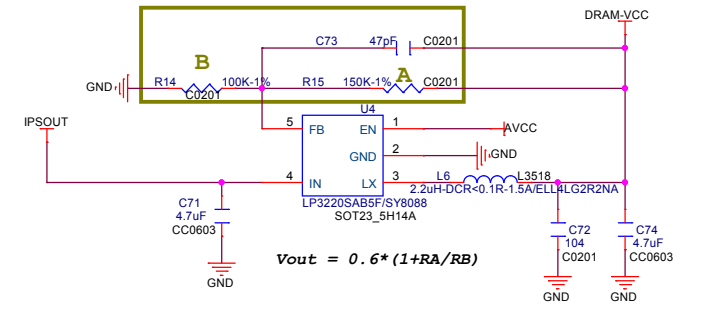
IPSOUT TO 5V FOR SYS



IPSOUT TO 3V3



IPSOUT TO 1V6



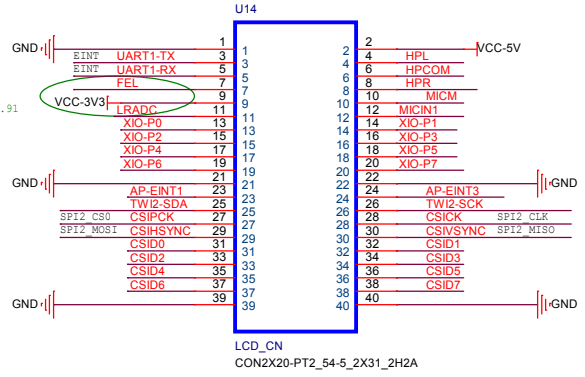
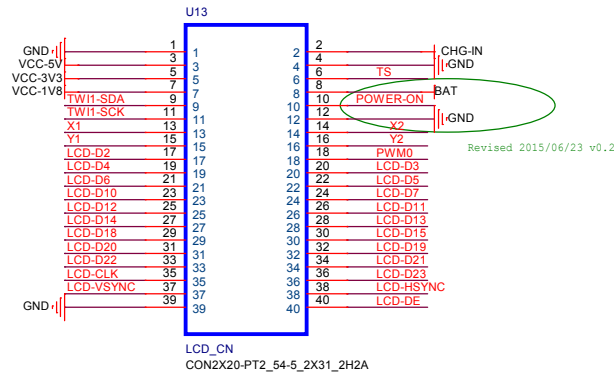
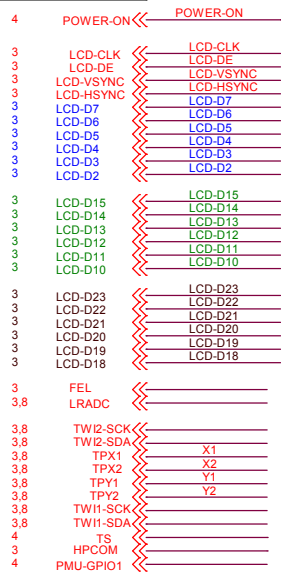
NEXT/THING COMPANY

Oakland, California
docs.nextthing.co

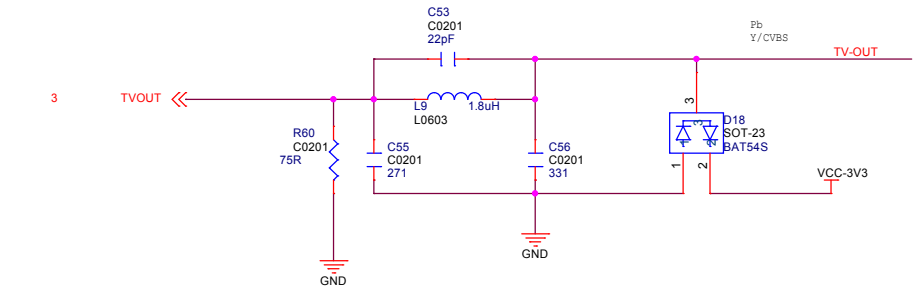
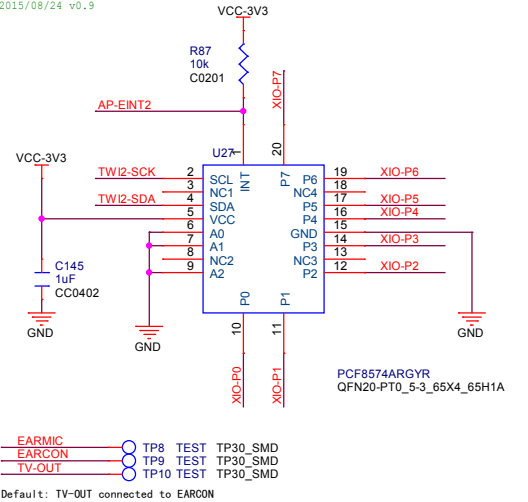
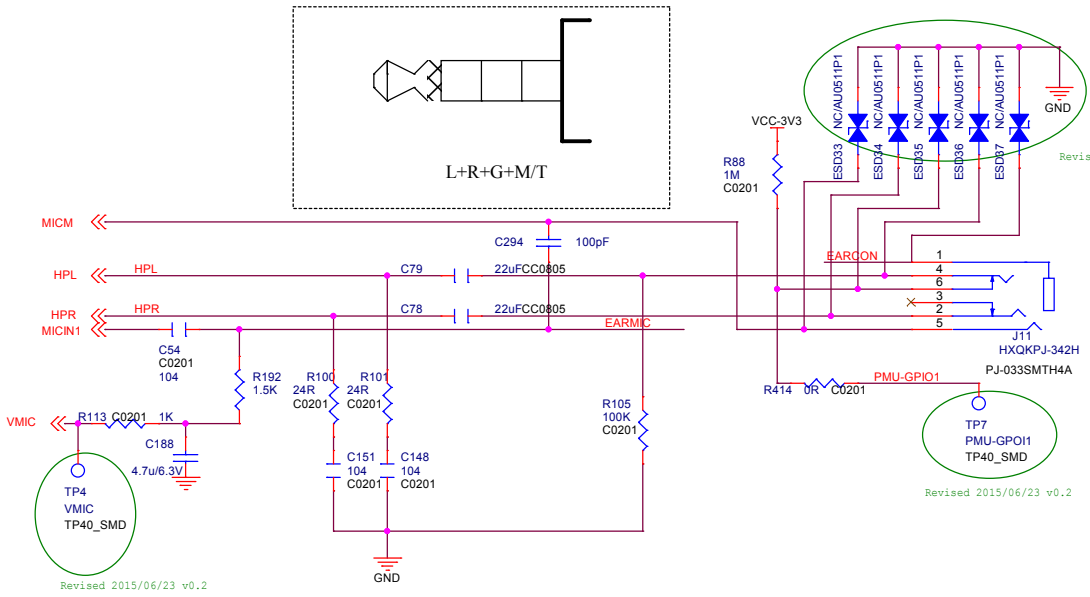
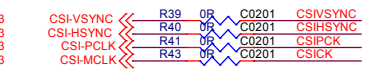
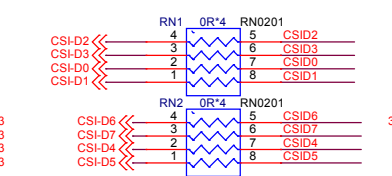
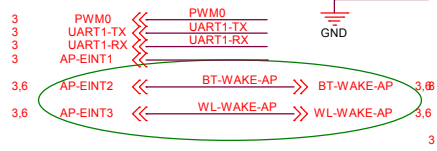
Design Name: **C.H.I.P.**

Size: A3	Page Name: POWER	Rev: v1.0
Date: Thursday, December 03, 2015	Sheet: 4	of 9

MISC



Note:
TW12 pin reused
SPI2 pin reused



NEXT/THING

COMPANY

Oakland, California
docs.nextthing.co

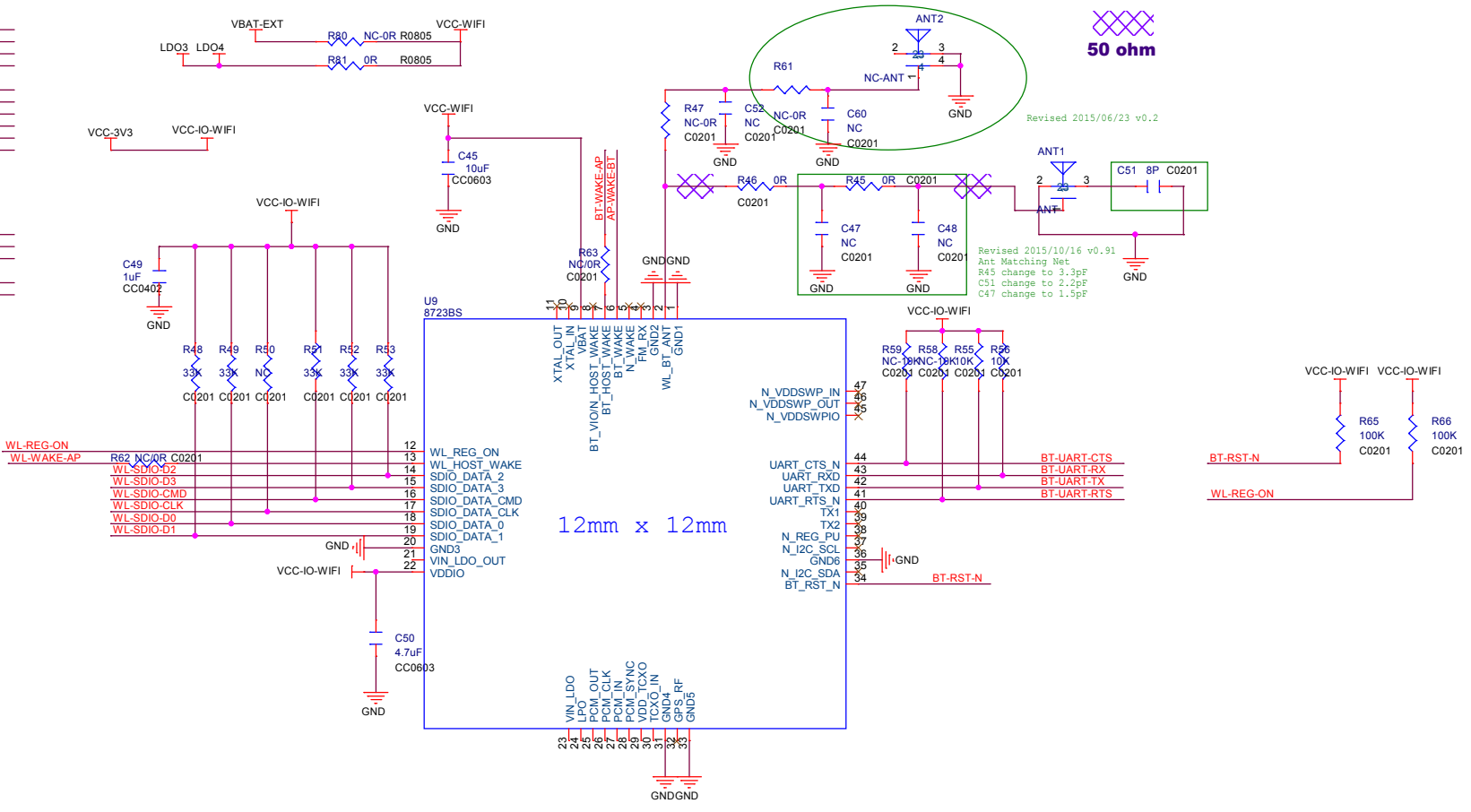
Design Name: **C.H.I.P.**

Size: A3	Page Name: MISC	Rev: v1.0
Date: Thursday, December 03, 2015	Sheet: 5 of 9	

SDIO WIFI&BT

- 3 AP-UART1-CTS <-> BT-UART-RTS
 - 3 AP-UART1-RTS <-> BT-UART-CTS
 - 3 AP-UART1-RX <-> BT-UART-TX
 - 3 AP-UART1-TX <-> BT-UART-RX
-
- 3 WL-SDIO-D2 <-> WL-SDIO-D2
 - 3 WL-SDIO-D3 <-> WL-SDIO-D3
 - 3 WL-SDIO-CMD <-> WL-SDIO-CMD
 - 3 WL-SDIO-CLK <-> WL-SDIO-CLK
 - 3 WL-SDIO-D0 <-> WL-SDIO-D0
 - 3 WL-SDIO-D1 <-> WL-SDIO-D1

- 3 WL-PMU-EN <-> WL-REG-ON
 - 3 BT-RST-N <-> BT-RST-N
 - 4 AP-WAKE-BT <-> AP-WAKE-BT
-
- 3.5 BT-WAKE-AP <-> BT-WAKE-AP
 - 3.5 WL-WAKE-AP <-> WL-WAKE-AP



NEXT/THING

COMPANY

Oakland, California

docs.nextthing.co

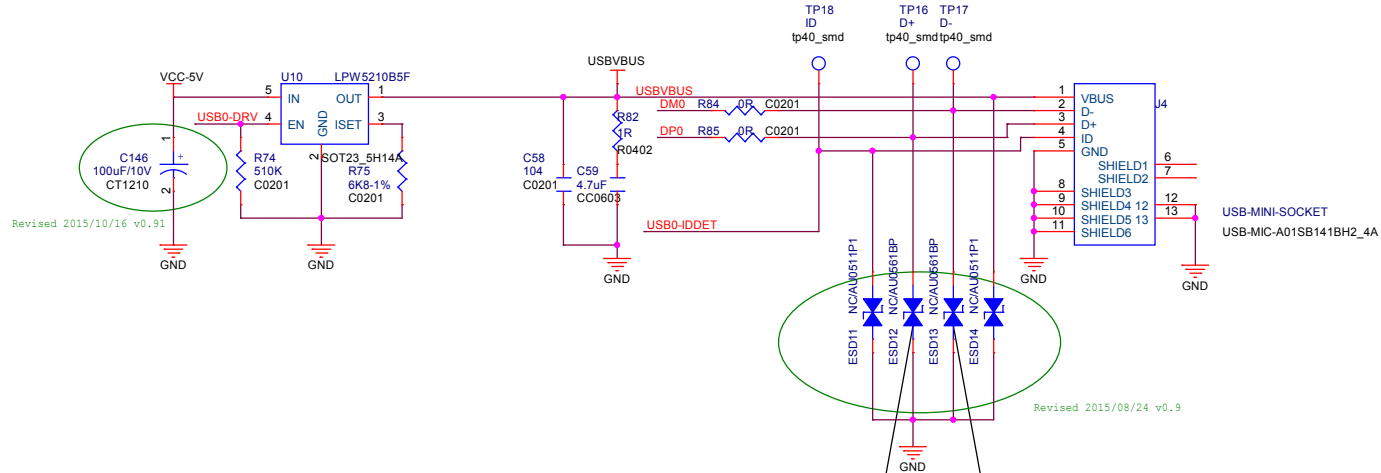
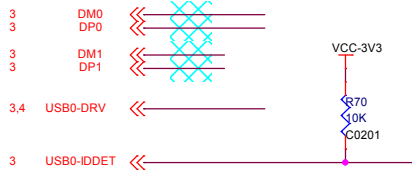
Design Name: **C.H.I.P.**

Size A3	Page Name SDIO WIFI&BT	Rev v1.0
------------	--------------------------------------	-------------

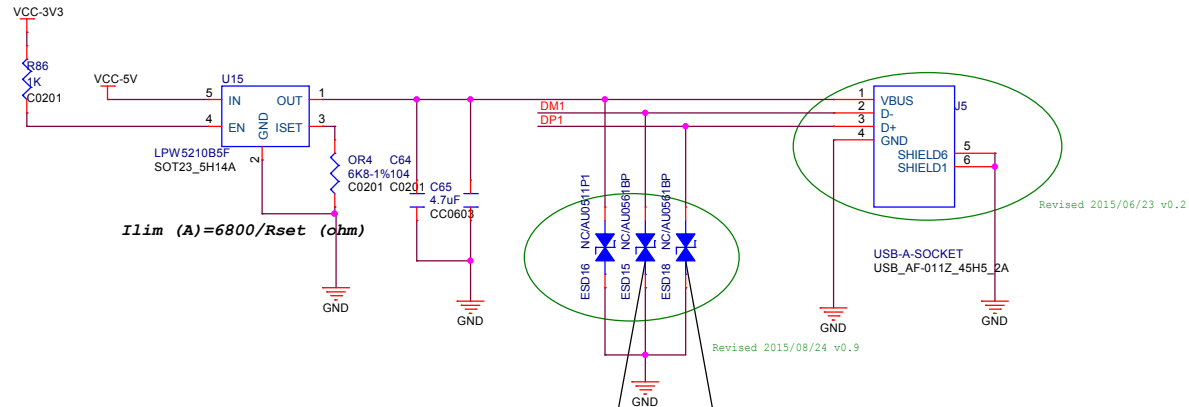
Date: Thursday, December 03, 2015 Sheet 6 of 9

USB

USB



D+/D-上的ESD器件寄生电容小于等于4pF(4pF包括了误差)。
The parasitic capacitance of esd on D+/D- < 4pf



D+/D-上的ESD器件寄生电容小于等于4pF(4pF包括了误差)。
The parasitic capacitance of esd on D+/D- < 4pf

NEXT/THING

COMPANY

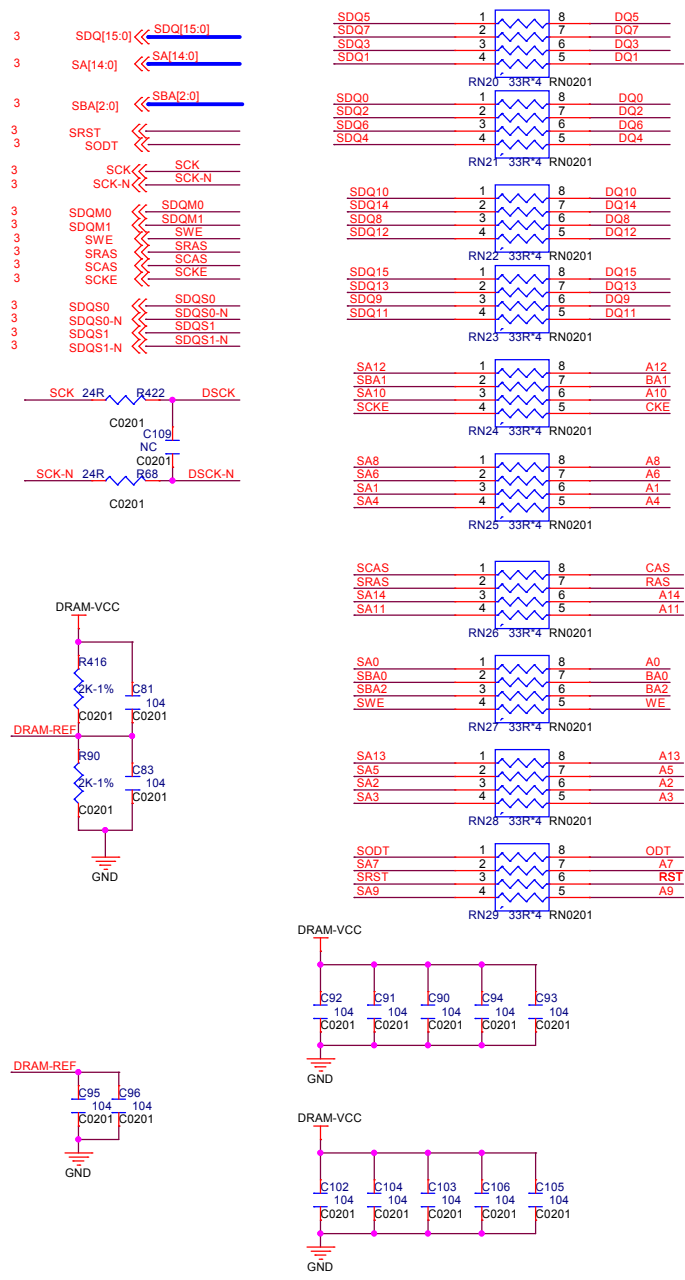
Oakland, California
docs.nextthing.co

Design Name **C.H.I.P.**

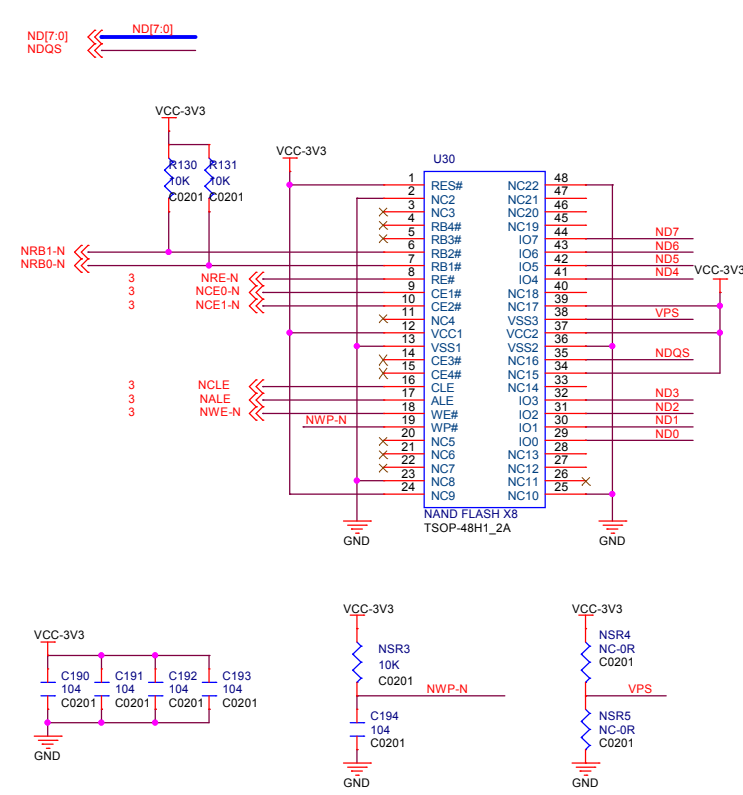
Size A3	Page Name USB	Rev v1.0
Date: Thursday, December 03, 2015 Sheet 7 of 9		

MEMORY

DDR3



NAND



NEXT/THING

COMPANY

Oakland, California
docs.nextthing.co

Design Name: **C.H.I.P.**

Size A3	Page Name MEMORY	Rev v1.0
------------	----------------------------	-------------

Date: Thursday, December 03, 2015 Sheet 9 of 9