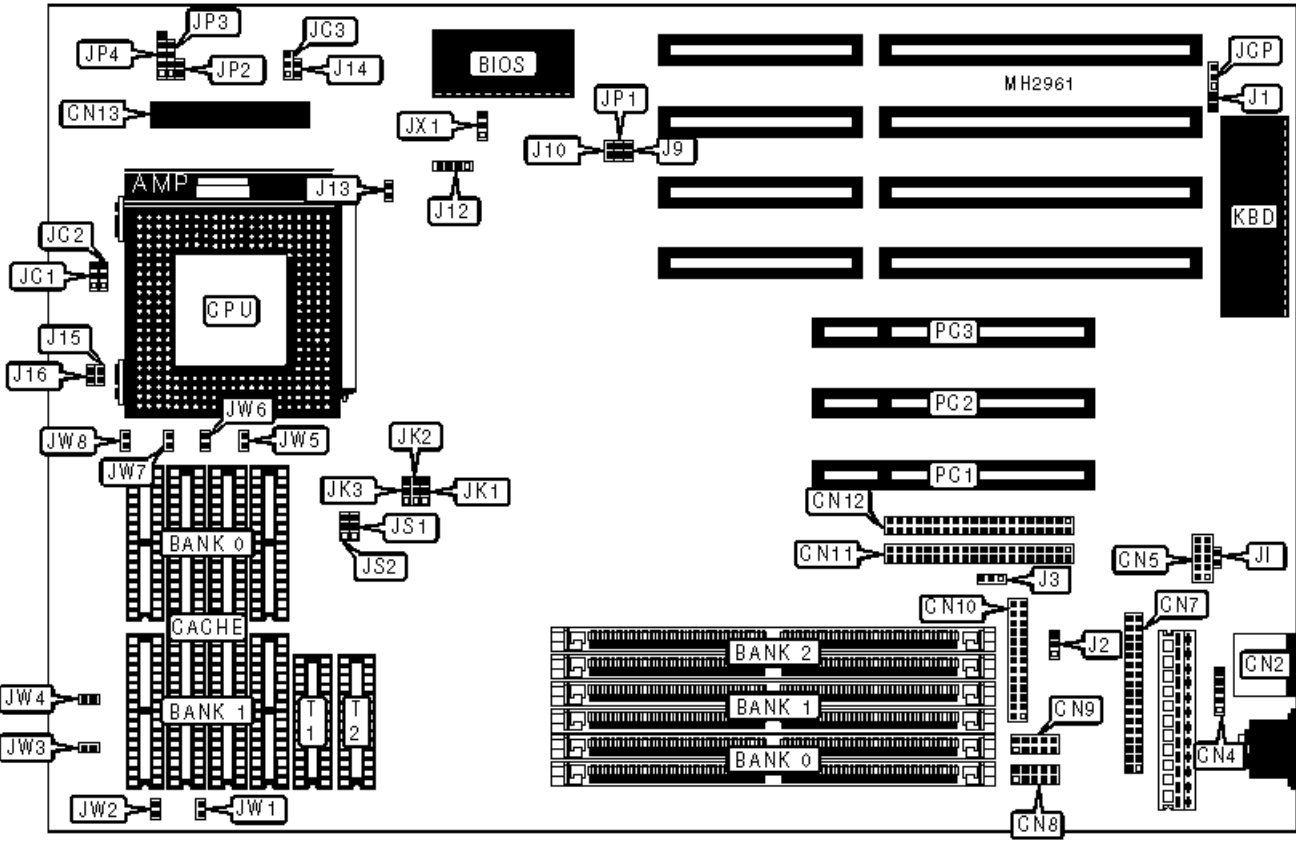


FIRST INTERNATIONAL COMPUTER, INC.

PA-2000

Processor	Pentium
Processor Speed	75/90/100MHz
Chip Set	VIA
Max. Onboard DRAM	192MB
Cache	256/512/1024KB
BIOS	Award
Dimensions	330mm x 218mm
I/O Options	PS/2 mouse port, parallel port, serial ports (2), serial interface, 32-bit PCI slots (3), green PC connector, floppy drive interface, IDE interfaces (2), VRM connector
NPU Options	None



CONNECTIONS			
Purpose	Location	Purpose	Location
PS/2 mouse port	CN2	Green PC connector	J9
PS/2 mouse interface	CN4	Green PC LED	J10
Serial interface	CN5	External battery	J12
Floppy drive interface	CN7	Chassis fan power	J13

Serial port 1	CN8	Green PC connector	J14
Serial port 2	CN9	IDE interface LED	JP1
Parallel port	CN10	Speaker	JP3
IDE interface 1	CN11	Power LED & keylock	JP4
IDE interface 2	CN12	32-bit PCI slots	PC1 - PC3
VRM connector	CN13		

USER CONFIGURABLE SETTINGS

Function		Jumper	Position
»	Monitor type select monochrome/EGA/VGA	J1	Open
	Monitor type select CGA	J1	Closed
»	Factory configured - do not alter	J2	N/A
»	Factory configured - do not alter	J3	N/A
»	CPU voltage select any voltage	J15	Open
	CPU voltage select 3.3v	J15	Closed
»	CPU voltage select 3.5v	J16	Closed
	CPU voltage select any voltage	J16	Open
»	Cache type select write back	JC1	pins 1 & 2 closed
	Cache type select write through	JC1	pins 2 & 3 closed
»	Password disabled	JCP	Open
	Password enabled	JCP	Closed
»	Factory configured - do not alter	JC3	N/A
»	COM port enabled	J1	Closed
	IR serial port enabled	J1	Open
»	Hardware reset disabled	JP2	Open

	Hardware reset enabled	JP2	Closed
»	Factory configured - do not alter	JX1	N/A

DRAM CONFIGURATION			
Size	Bank 0	Bank 1	Bank 2
2MB	(2) 256K x 36	NONE	NONE
4MB	(2) 256K x 36	(2) 256K x 36	NONE
6MB	(2) 256K x 36	(2) 256K x 36	(2) 256K x 36
8MB	(2) 1M x 36	NONE	NONE
10MB	(2) 1M x 36	(2) 256K x 36	NONE
12MB	(2) 1M x 36	(2) 256K x 36	(2) 256K x 36
16MB	(2) 2M x 36	NONE	NONE
18MB	(2) 2M x 36	(2) 256K x 36	NONE
24MB	(2) 1M x 36	(2) 1M x 36	(2) 1M x 36
32MB	(2) 4M x 36	NONE	NONE
34MB	(2) 4M x 36	(2) 256K x 36	NONE
36MB	(2) 4M x 36	(2) 256K x 36	(2) 256K x 36
40MB	(2) 4M x 36	(2) 1M x 36	NONE
42MB	(2) 4M x 36	(2) 1M x 36	(2) 256K x 36
48MB	(2) 4M x 36	(2) 2M x 36	NONE
64MB	(2) 4M x 36	(2) 4M x 36	NONE
66MB	(2) 4M x 36	(2) 4M x 36	(2) 256K x 36
66MB	(2) 8M x 36	(2) 256K x 36	NONE
68MB	(2) 8M x 36	(2) 256K x 36	(2) 256K x 36
72MB	(2) 4M x 36	(2) 4M x 36	(2) 1M x 36

72MB	(2) 8M x 36	(2) 1M x 36	NONE
74MB	(2) 8M x 36	(2) 1M x 36	(2) 256K x 36

DRAM CONFIGURATION(CON'T)

Size	Bank 0	Bank 1	Bank 2
80MB	(2) 8M x 36	(2) 1M x 36	(2) 1M x 36
96MB	(2) 4M x 36	(2) 4M x 36	(2) 4M x 36
96MB	(2) 8M x 36	(2) 4M x 36	NONE
98MB	(2) 8M x 36	(2) 4M x 36	(2) 256K x 36
104MB	(2) 8M x 36	(2) 4M x 36	(2) 1M x 36
128MB	(2) 8M x 36	(2) 4M x 36	(2) 4M x 36
128MB	(2) 8M x 36	(2) 8M x 36	NONE
130MB	(2) 8M x 36	(2) 8M x 36	(2) 256K x 36
136MB	(2) 8M x 36	(2) 8M x 36	(2) 1M x 36
160MB	(2) 8M x 36	(2) 8M x 36	(2) 4M x 36
192MB	(2) 8M x 36	(2) 8M x 36	(2) 8M x 36

CACHE CONFIGURATION

Size	Bank 0	Bank 1	T 1	T 2
256KB	(4) 32K x 8	(4) 32K x 8	(1) 32K x 8	NONE
512KB	(4) 64K x 8	(4) 64K x 8	(1) 32K x 8	NONE
1MB	(4) 128K x 8	(4) 128K x 8	(1) 32K x 8	NONE

CACHE JUMPER CONFIGURATION

Size	JS1	JS2
256KB	pins 1 & 2 closed	pins 1 & 2 closed

512KB	pins 2 & 3 closed	pins 1 & 2 closed
1MB	pins 2 & 3 closed	pins 2 & 3 closed

CACHE TYPE CONFIGURATION								
Type	JW1	JW2	JW3	JW4	JW5	JW6	JW7	JW8
3.3v	Open	Open	Open	Open	Closed	Closed	Closed	Closed
Mixed	Closed	Closed	Closed	Closed	Open	Open	Open	Open

CPU CLOCK SPEED CONFIGURATION			
Speed	JK1	JK2	JK3
50MHz	pins 2 & 3 closed	pins 1 & 2 closed	pins 2 & 3 closed
60MHz	pins 1 & 2 closed	pins 1 & 2 closed	pins 1 & 2 closed
66MHz	pins 2 & 3 closed	pins 2 & 3 closed	pins 1 & 2 closed

CPU SPEED CONFIGURATION		
Speed	Speed	JC2
50MHz	100MHz	pins 1 & 2 closed
50MHz	75MHz	pins 2 & 3 closed
60MHz	90MHz	pins 2 & 3 closed
66MHz	100MHz	pins 2 & 3 closed