



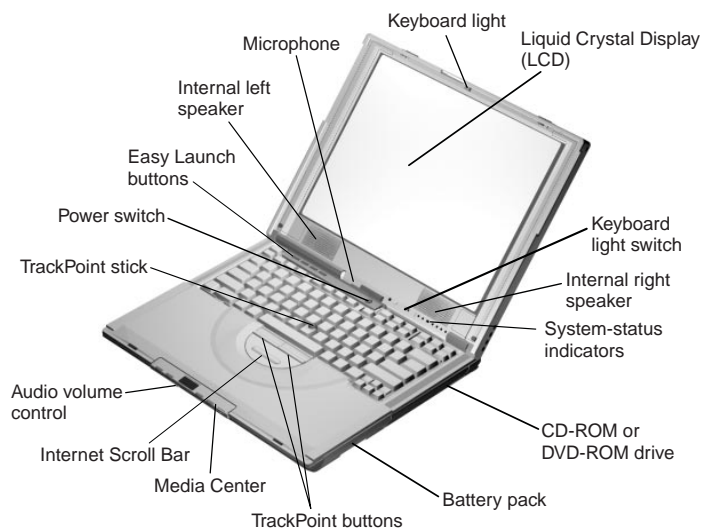
ThinkPad i Series 1400/1500



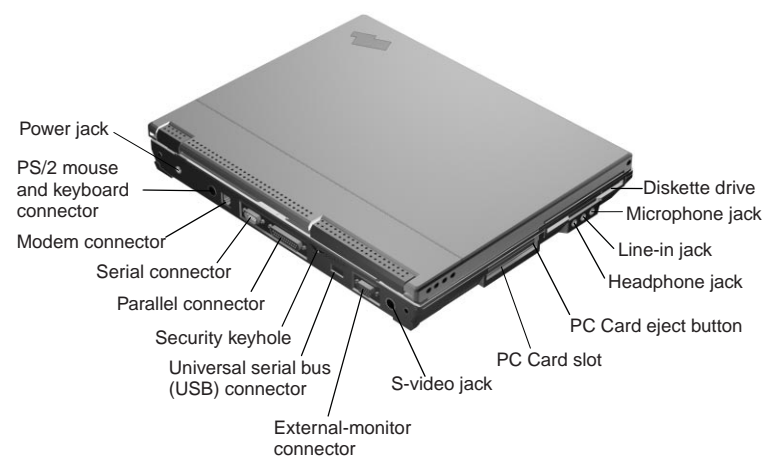
Setup Guide

This guide provides information for setting up your computer for the first time.

Front View



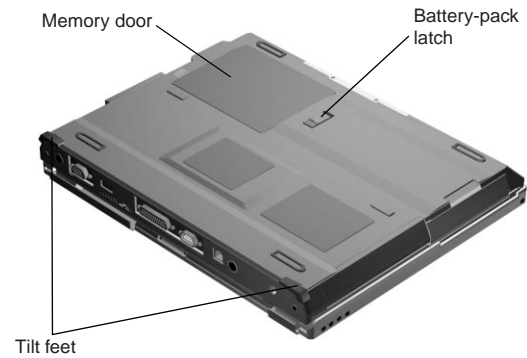
Rear View



Notes:

1. The keyboard light feature is available only on select models.
2. The S-video feature is available only on select models.

Bottom View

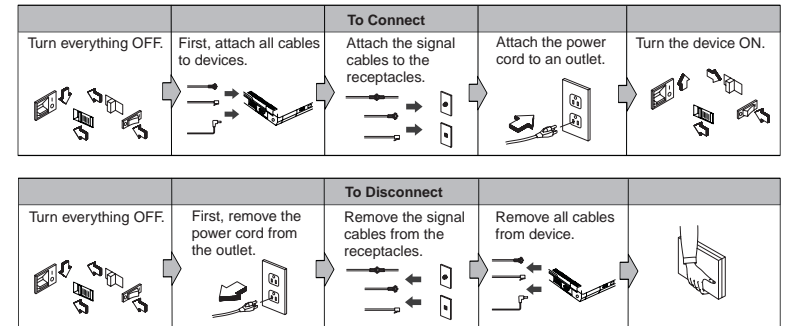


Electrical Safety Notice



DANGER

Electrical current from power, telephone, and communication cables is hazardous. To avoid shock hazard, connect and disconnect cables as shown below when installing, moving, or opening the covers of this product or attached devices. The 3-pin power cord must be used with a properly grounded power outlet.



Note: In the U.K., by law:

- The telephone line cable must be connected after the power cord.
- The power cord must be disconnected after the telephone line cable.

Setting Up Your Computer

You are now ready to assemble and start your computer.

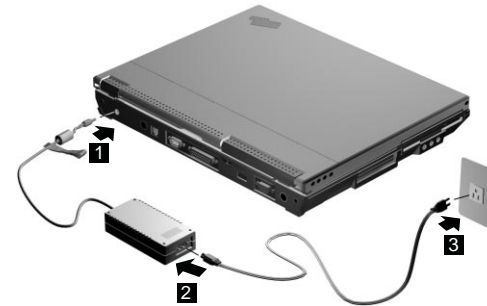
1. Turn the computer over and insert the battery pack into the battery compartment located near the right front end of the computer.



2. If you want to connect a printer to your computer, connect one end of the printer cable to the parallel connector and the other end to your printer. Then power on the printer.



3. Connect the AC Adapter to the computer's power jack (at the rear of the computer) in the order shown.



4. Open the liquid crystal display.

Pull the liquid crystal display (LCD) latches (1) and open the LCD (2). Then position the LCD so that it is convenient for viewing.



5. Power on the computer.

- a. Press the power switch.
- b. Adjust the display's brightness (**Fn+Home** or **Fn+End**).

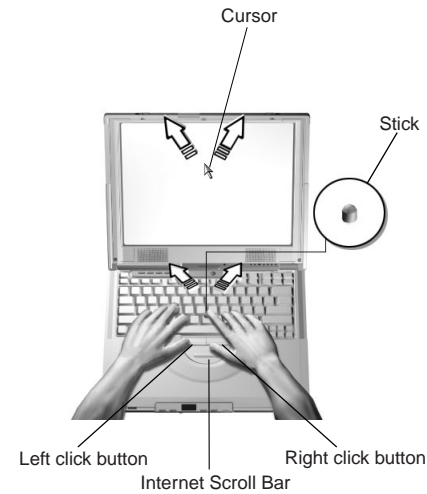


Using the TrackPoint

The TrackPoint is a unique device for moving the cursor on the screen. You can perform all mouse operations with the TrackPoint. The left and right click buttons function like the left and right click buttons on a mouse. For an explanation of the Internet Scroll Bar, see the *User's Reference*.

To move the cursor, use the red-topped stick at the center of the keyboard. Press gently with your left or right index finger in the direction you want to move the cursor. To select and drag an object, press and hold one of the click buttons with either thumb as required by your software.

Click means to press the left click button once. **Double-click** means to press the left click button twice within 1 second.



For more information about the TrackPoint, see the *User's Reference*.

Customizing Your Computer

The **ThinkPad Software Selections** program provides a collection of setup wizards to help you customize your computer for your specific needs.

To start the **ThinkPad Software Selections** program, eject the CD-ROM tray and insert the **ThinkPad Software Selections CD**; then close the tray. Follow the instructions on the screen.

Registering Your Computer

After setting up Windows 98, take a few moments to complete the ThinkPad registration. The information provided by you will help IBM to better serve you in the future. To register from the Windows desktop, do the following:

1. If you wish to register electronically, you need to connect your computer to a phone line.

Connect one end of the modem cable to the modem connector at the rear of the computer and the other end to an analog phone line.



2. Double-click on the **Register** icon.
3. Follow the instructions on the screen to complete the registration.

You can also register your computer at the following web site:

<http://www.pc.ibm.com/register>

Getting More Information

After you have completed setting up your computer and Windows, please read Chapter 1 of the *User's Reference* before you start using the computer. If you want to learn more about your computer and its options, see the following:

User's Reference

- Getting familiar with your computer
- Extending the features of your computer
- Protecting your computer
- Solving computer problems
- Getting service
- Features and specifications
- Product warranties and notices

Online User's Guide

- Using your computer outside your home country
- Using audio, modem and DVD features
- Protecting your computer
- Using your computer with a battery pack
- Using your computer with a PC Card
- Resolving system resource conflicts
- Solving computer problems
- Installing software
- Handling the ThinkPad
- Getting service

Note: To see the Online User's Guide, click **Start**, move the cursor to **Programs, ThinkPad i Series 1400/1500**, then click **ThinkPad i Series 1400/1500 User's Guide**.