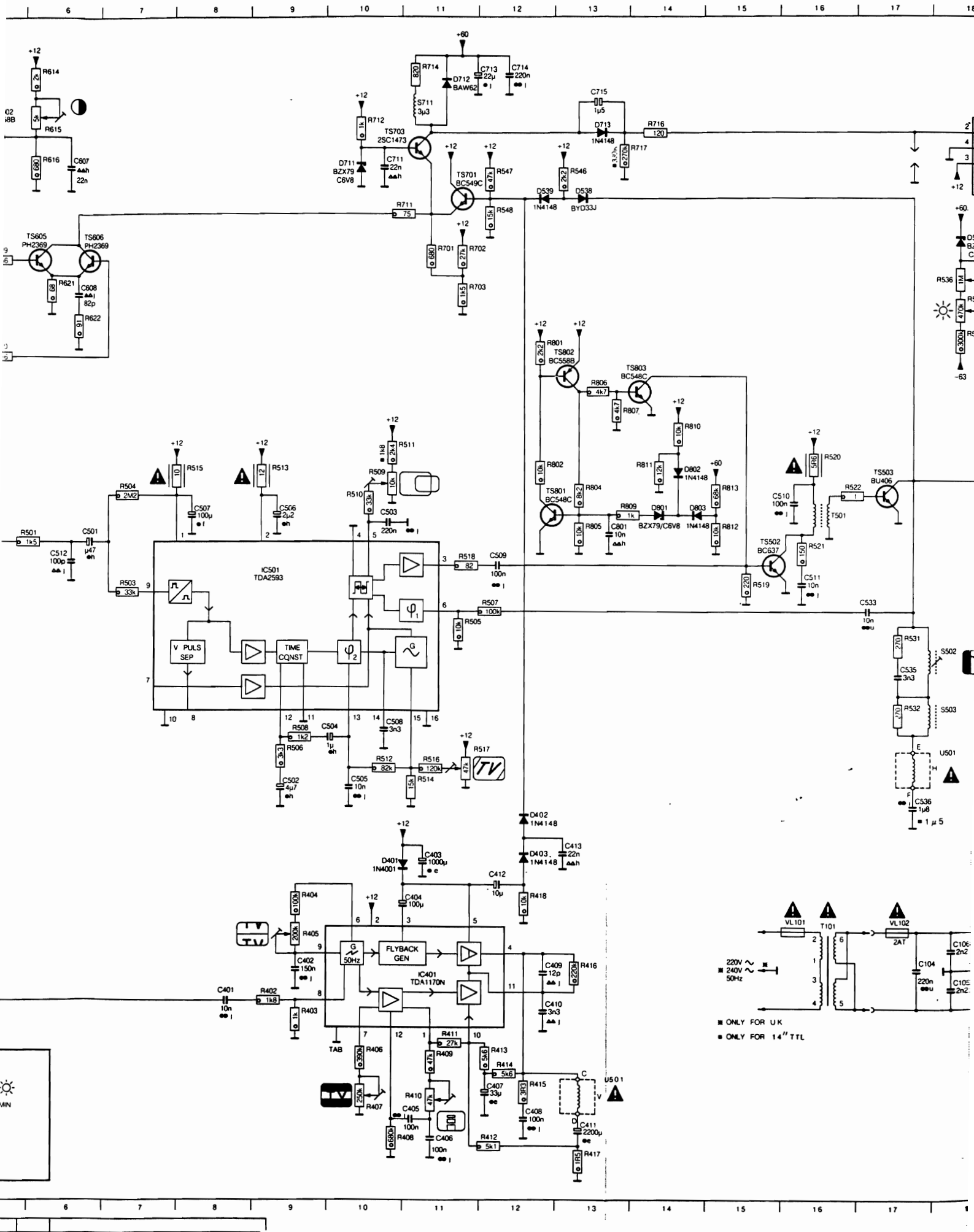
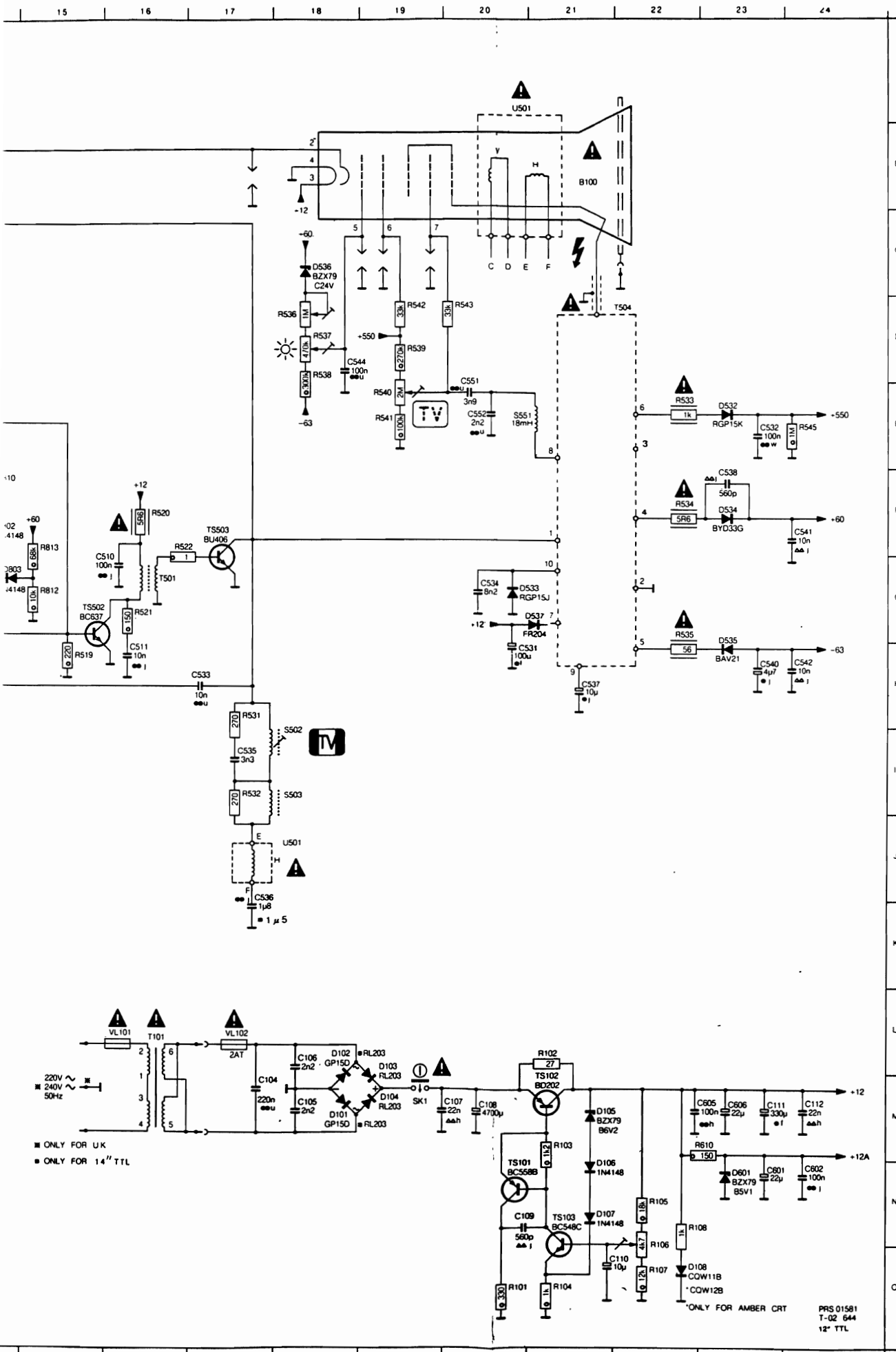


	SAFETY RESISTOR RESISTENZA DI SICUREZZA		20kΩ/V		UTS003		MIN - MIN
	SFR25H-0.5W 5%	e	-16 V		AC		DC
	CERAMIC	f	-25 V				
	FLAT FOL	g	-40 V				
	PIATTO	h	-63 V				
	ELECTROLYTIC	j	-100V				
	ELECTRO	i	-250V				
		u	-400V				
		v	-500V				
		w	-630V				



■ ONLY FOR UK
 ■ ONLY FOR 14" TTL



B100	B21	R539	D19
C104	M17	R540	E19
C105	M18	R541	E19
C116	L18	R542	D19
C107	M20	R543	D20
C108	M20	R545	E24
C109	N20	R546	B13
C110	O22	R547	B12
C111	M23	R548	C12
C112	M2	R601	D 2
C401	M 8	R602	E 1
C402	M 9	R603	E 1
C403	K11	R604	F 1
C404	L11	R605	C 2
C405	O11	R606	F 4
C406	O11	R607	E 4
C407	N12	R608	D 4
C408	O12	R609	E 4
C409	M13	R610	M23
C410	M13	R611	B 4
C411	O13	R612	C 4
C412	K12	R613	A 5
C413	K13	R614	A 6
C501	G 6	R615	B 6
C502	J 9	R616	B 6
C503	G10	R617	E 5
C504	J10	R618	D 5
C505	J10	R619	O 5
C506	G 9	R620	E 5
C507	G 8	R621	D 6
C508	I10	R622	D 6
C509	G12	R701	C11
C510	M2	R702	C12
C511	H16	R703	D12
C512	G 8	R711	C11
C531	+20	R712	B10
C532	E23	R714	A11
C533	H17	R716	B14
C534	G2C	R717	B14
C535	I17	R801	E13
C536	J17	R802	F13
C537	H21	R804	F13
C538	F23	R805	G13
C540	H23	R806	E13
C541	F24	R807	E14
C542	H24	R809	G13
C544	D18	R810	F14
C551	D20	R811	F14
C552	E20	R812	G15
C601	N23	R813	F15
C602	N24	S502	I18
C603	B 4	S503	I18
C604	B 5	S551	E20
C605	M23	S711	A11
C606	M23	SK1	M19
C607	B 6	SK2	B 2
C608	D 6	T101	L16
C609	C 2	T501	G16
C711	B10	T504	D22
C713	A12	T5101	N20
C714	A12	T5102	M21
C715	A13	T5103	N21
C801	G13	T5502	G15
D101	M18	T5503	F17
D102	L18	T5602	B 5
D103	L19	T5603	D 4
D104	M19	T5604	C 5
D105	M21	T5605	C 6
D106	N21	T5606	6
D107	N21	T5701	B11
D108	O23	T5703	B10
D401	K10	T5801	F13
D402	K12	T5802	E13
D403	N24	T5803	E14
D532	E23	U501	N13
D533	G21	U501	A20
D534	F23	U501	J18
D535	G23	VL101	L16
D536	C18	VL102	L17
D537	G20		
D538	C13		
D539	C12		
D601	N23		
D711	B10		
D712	A11		
D713	B13		
D801	G14		
D802	F14		
D803	G14		
I C401	M11		
I C501	C 9		
I C601	C 2		
R101	O20		
R102	L21		
R103	M21		
R104	O21		
R105	N22		
R106	N22		
R107	O22		
R108	N23		
R402	M 9		
R403	M 9		
R404	L 9		
R405	L 9		
R406	N10		
R407	N10		
R408	O11		
R409	N11		
R410	N11		
R411	N11		
R412	O12		
R413	N12		
R414	N12		
R415	N12		
R416	M13		
R417	O13		
R418	L12		
R501	G 6		
R503	H 7		
R504	F 7		
R505	H11		
R506	J 9		
R507	H12		
R508	J 9		
R509	F10		
R510	G10		
R511	F11		
R512	J10		
R513	F 9		
R514	J11		
R515	F 8		
R516	J11		
R517	J12		
R518	G11		
R519	H15		
R520	F16		
R521	G16		
R522	F16		
R531	H17		
R532	I17		
R533	E22		
R534	F22		
R535	G22		
R536	D18		
R537	D18		
R538	D18		

Philips Mono TTL 78M743