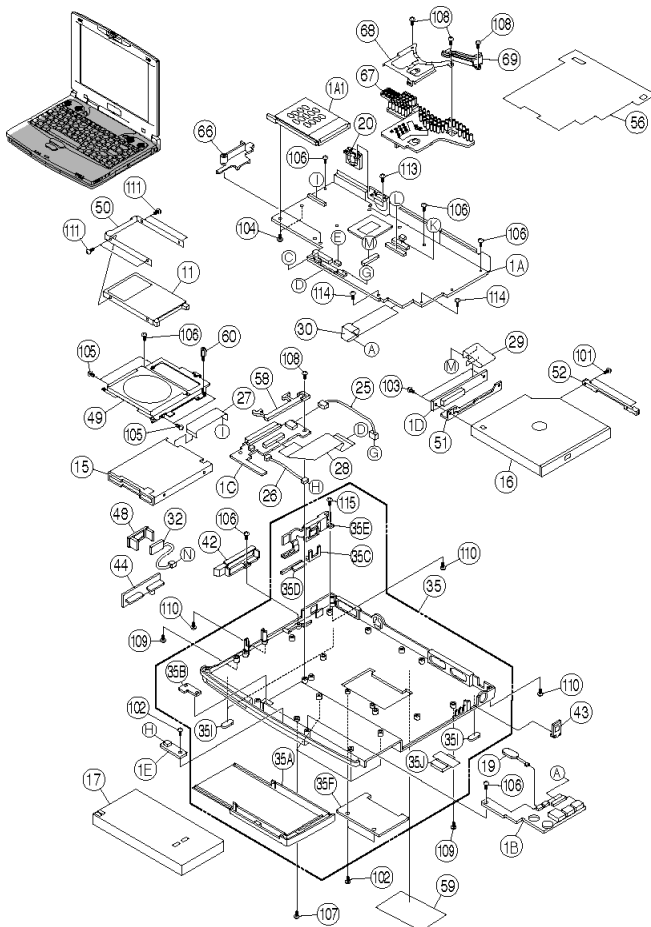
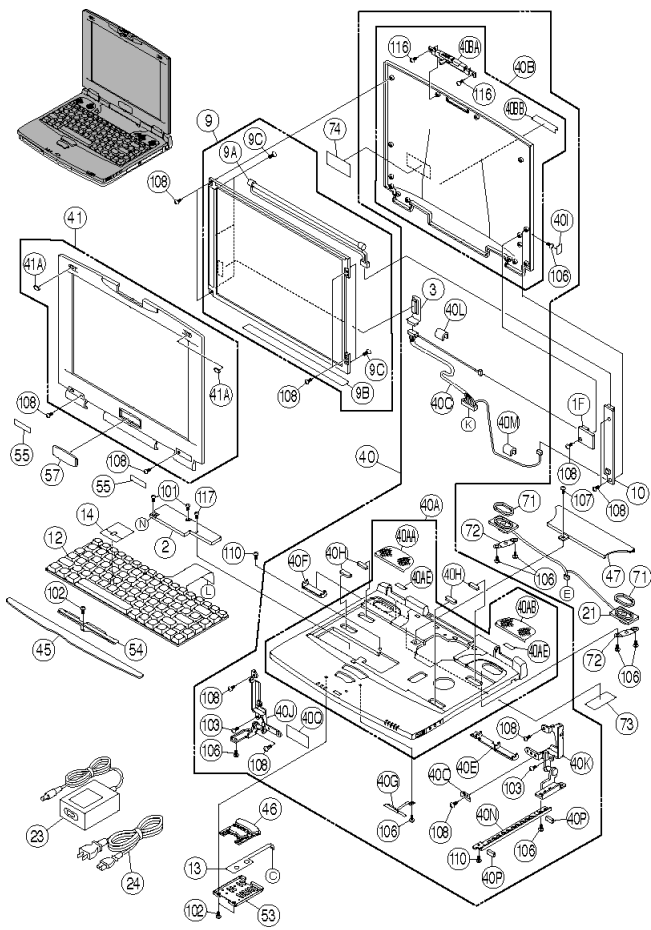


TOSHIBA

Satellite

2100CDS - PS210U A - S2CW8 - S2CW8B

Parts Information



N°	Toshiba PN	Description
1A	P000281890	PCB FHAX21
1A-1	P000284160	PCB FHAX2A

1A-2	P000287560	PCB FHAX21
1A-3	P000287690	PCB FHAX2A
1AA (1A1)	P000266660	CARDBUS SLOT
1B	P000281900	PCB FHAXS1
1B-1	P000284170	PCB FHAXSA
1B-2	P000287570	PCB FHAXS1
1B-3	P000287700	PCB FHAXSA
1C	P000281910	PCB FHAXH1
1C-1	P000284180	PCB FHAXHA
1C-2	P000287580	PCB FHAXH1
1C-3	P000287710	PCB FHAXHA
1D	P000281920	PCB FHAXC1
1D-1	P000284190	PCB FHAXCA
1D-2	P000287590	PCB FHAXC1
1D-3	P000287720	PCB FHAXCA
1E	P000281930	PCB FHAXW1
1E-01	P000284200	PCB FHAXWA
1E-02	P000287600	PCB FHAXW1
1E-03	P000287730	PCB FHAXWA
1F	P000281940	PCB FHAXV1
1F-1	P000284210	PCB FHAXVA
1F-2	P000287610	PCB FHAXV1
1F-3	P000287740	PCB FHAXVA
2	P000268810	PCB FHSM1
3	P000230110	PCB FVNSL2
4	PA3003U-1M03	32MB MEMORY KIT
9	P000276370	COLOR LCD MODULE
9A	P000277810	FL TUBE
9B	P000277820	PET TAPE
9C	P000248480	SCREW
10	P000236350	FL INVERTER
11	P000279860	HDD UNIT (4.3GB)
1-11	P000284230	HDD UNIT (4.3GB)
12	P000257600	KEYBOARD UNIT
12-A	UE2005P01KB-SP	KEYBOARD UNIT (SPANISH)
13	P000264090	MEMBRANE SWITCH
14	P000257680	STICK CAP SET
15	P000257590	FDD 3.5 INCH
16	P000281960	CD-ROM DRIVE
16-1	P000281950	CD-ROM DRIVE
17	PA2487URG	BATTERY PACK
19	P000268840	NI-MH BATTERY
20	P000278140	28-8 DC FAN
21	P000276400	SPEAKER
23	PA2450U	UNIVERSAL AC ADAPTER
24	P000182200	AC CORD SET
25	P000264130	POWER SUPPLY HARNESS
26	P000264140	SWITCH HARNESS
27	P000264150	FDD HARNESS
28	P000264160	HDD HARNESS
29	P000264170	CD-ROM HARNESS
30	P000264180	SOUND HARNESS
32	P000268860	MODULAR JACK HARNESS
35	P000276380	BASE ASSEMBLY
35-1	P000290430	BASE ASSEMBLY
35A	P000264200	BATTERY CASE ASSEMBLY
35B	P000264210	BATTERY SPRING ASSEMBLY
35C	P000264220	SW LOCK LEVER
35D	P000264230	PCMCIA LOCK LEVER
35E	P000264240	POWER SWITCH ASSEMBLY
35F	P000264250	MEMORY COVER
35I	P000258980	BOTTOM CUSHION
35J	P000264260	INSULATOR, SUB BATTERY
40	P000276390	COVER ASSEMBLY
40A	P000276830	COVER SUB ASSEMBLY
40AA	P000264280	SPEAKER NET, LEFT
40AB	P000264290	SPEAKER NET, RIGHT
40AE	P000270530	AL TAPE
40B	P000264300	LCD COVER SUB ASSEMBLY
40BA	P000264310	LCD LATCH ASSEMBLY
40BB	P000264320	TOSHIBA BADGE 38
40C	P000276840	LCD HARNESS
40E	P000278150	HINGE COVER, LEFT
40F	P000264360	HINGE COVER, RIGHT
40G	P000270340	LCD SENSOR SPRING
40H	P000247470	SPRING, KEYBOARD EARTH
40I	P000264380	SCREW SEAL
40J	P000267090	BRAKE HINGE, LEFT
40K	P000267100	BRAKE HINGE, RIGHT
40L	P000267110	EMI GASKET
40M	P000233250	EMI GASKET
40N	P000267120	HINGE BRACKET, RIGHT
40O	P000247500	SPRING HINGE, RIGHT
40P	P000278220	EMI GASKET
40Q	P000278230	FLEX CONNECTOR INSULATOR
41	P000278160	LCD MASK ASSEMBLY
41A	P000286750	LCD CUSHION
42	P000264400	SHUTTER ASSEMBLY
43	P000264410	USB COVER
44	P000264420	HDD COVER
45	P000264430	KEYBOARD HOLDER
46	P000273160	IPS BUTTON
47	P000270840	KEYBOARD TOP COVER
48	P000271010	RJ11 HOLDER
48-A	P000271190	RJ11 DUMMY
49	P000270420	FDD BRACKET
50	P000264480	HDD BRACKET
51	P000264490	CD-ROM BRACKET
52	P000284500	CD-ROM HOLD BRACKET
53	P000264510	IPS HOLD PLATE
54	P000264520	KEYBOARD HOLD BRACKET
55	P000264530	LCD MASK SEAL
56	P000264540	BASE U INSULATOR
57	NP2100CDS	NAME PLATE - 2100CDS
57-A	NP2105CDS	NAME PLATE - 2105CDS
58	P000267130	BATTERY CONNECTOR COVER
60	P000270430	MODEM STUD
66	P000274870	SPACER ASSEMBLY
67	P000276420	HEATSINK ASSEMBLY
68	P000276790	HEATSINK HOLDER
69	P000276800	DUCT
71	P000276820	SPEAKER CUSHION
72	P000276810	SPEAKER HOLDER
73	P000278210	CU TAPE

74	P000229080	LCD HARNESS SHIELD
101	P000215140	SCREW M2X3C
102	P000261930	GRIP SCREW M2X4BN
103	P000207940	SCREW M2X6Z
104	P000267140	GRIP SCREW M2X16BN
105	P000227770	SCREW M2.5X2.6B
106	P000209920	SCREW M2.5X4Z
106-1	P000239510	SCREW M2.5X5Z
107	P000261210	GRIP SCREW M2.5X4BN
108	P000233430	SCREW M2.5X6Z
109	P000261220	GRIP SCREW M2.5X6BN
110	P000267150	GRIP SCREW M2.5X20B
111	P000254870	GRIP SCREW M3X4Z
113	P000267160	TG SCREW M2.5X3C
114	P000261900	TG SCREW M2.5X4Z
115	P000256890	TY SCREW M2.5X6BZ
116	P000207950	GRIP SCREW M2X4Z
117	P000259980	GRIP SCREW M2X5Z
OPTIONS		
OP1	KTT-SO100/32	32MB SDRAM MEMORY
OP1-A	KTT-SO100/64	64MB SDRAM MEMORY
OP1-B	KTT-SO100/128	128MB SDRAM MEMORY
OP2	PA2450U	UNIVERSAL AC ADAPTER
OP3	PA2487URG	BATTERY PACK
OP4	PA2488U	BATTERY CHARGER