



*Personal Computer  
Hardware Reference  
Library*

---

# **IBM Game Control Adapter**

IBM Game Control Adapter

6361493



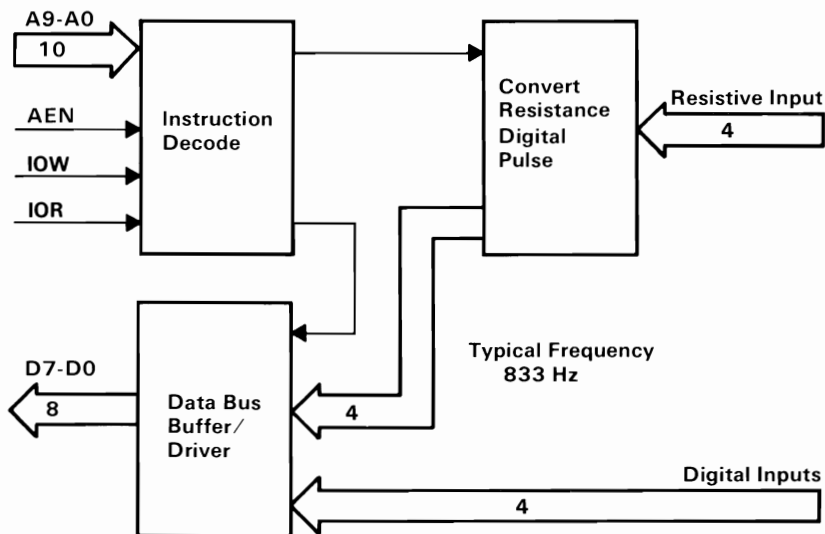
# Contents

Description .....	1
Programming Considerations .....	3
Address Decode .....	3
Data Bus Buffer/Driver .....	3
Trigger Buttons .....	3
Joystick Positions .....	3
I/O Channel Description .....	4
Interface .....	5
Specifications .....	7
Logic Diagram .....	9



# Description

The IBM Game Control Adapter allows up to four paddles or two joysticks to be attached to the system. This adapter fits into one of the system board's or expansion board's expansion slots. The game control interface cable attaches to the rear of the adapter. In addition, four inputs for switches are provided. Paddle and joystick positions are determined by changing resistive values sent to the adapter. The adapter, when used with system software, converts the present resistive value to a relative paddle or joystick position. On receipt of an output signal, four timing circuits are started. By determining the time required for the circuit to timeout (a function of the resistance), the paddle position can be determined. This adapter could be used as a general purpose I/O card with four analog (resistive) inputs plus four digital input points.



Game Control Adapter Block Diagram



# Programming Considerations

## Address Decode

The select on the Game Control Adapter is generated by two 74LS138s as an address decoder. AEN must be inactive while the address is hex 201 in order to generate the select. The select allows a write to fire the one-shots, or a read to give the values of the trigger buttons and one-shot outputs.

## Data Bus Buffer/Driver

The data bus is buffered by a 74LS244 buffer/driver. For an In from address hex 201, the Game Control Adapter will drive the data bus; at all other times, the buffer is left in the high impedance state.

## Trigger Buttons

The trigger button inputs are read by an In from address hex 201. A trigger button is on each joystick or paddle. These values are seen on data bits 7 through 4. These buttons default to an open state and are read as 1. When a button is pressed, it is read as 0. Software should be aware that these buttons are not debounced in hardware.

## Joystick Positions

The joystick position is indicated by a potentiometer for each coordinate. Each potentiometer has a range of 0 to 100 kilohms that varies the time constant for each of the four one-shots. As this time constant is set at different values, the output of the one-shot will be of varying durations.

All four one-shots are fired at once by an Out to address hex 201. All four one-shot outputs will go true after the fire pulse and will remain high for varying times depending on where each potentiometer is set.

These four one-shot outputs are read by an In from address hex 201 and are seen on data bits 3 through 0.

## I/O Channel Description

- A9–A0:** Address lines 9 through 0 are used to address the Game Control Adapter.
- D7–D0:** Data lines 7 through 0 are the data bus.
- IOR, IOW:** I/O Read and I/O Write are used when reading from or writing to an adapter (In, Out).
- AEN:** When active, the adapter must be inactive and the data bus driver inactive.
- +5 Vdc:** Power for the Game Control Adapter.
- GND:** Common ground.

The following I/O channel lines are not used:

<b>MEMR, MEMW</b>	<b>ALE, T/C</b>
<b>DACK0–DACK3</b>	<b>CLK, OSC</b>
<b>IRQ7–IRQ2</b>	<b>-5 Vdc</b>
<b>DRQ3–DRQ1</b>	<b>+12 Vdc</b>
<b>I/O CH RDY</b>	<b>-12 Vdc</b>
<b>I/O CH CK</b>	<b>RESET DRV</b>
<b>A19–A10</b>	



# Interface

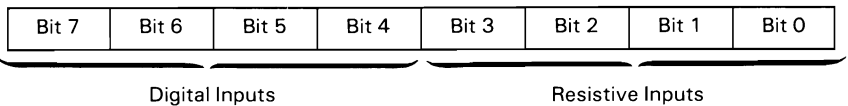
The Game Control Adapter has eight input lines; four digital inputs and four resistive inputs. The inputs are read with one In from address hex 201.

The four digital inputs each have a 1-kilohm pullup resistor to +5 Vdc. With no drives on these inputs, a 1 is read. For a 0 reading, the inputs must be pulled to ground.

The four resistive pullups, measured to +5 Vdc, will be converted to a digital pulse with a duration proportional to the resistive load, according to the following equation:

$$\text{Time} = 24.2 \mu\text{s} + 0.011 (r) \mu\text{s}$$

The user must first begin the conversion by an Out to address hex 201. An In from address hex 201 will force the digital pulse to go high and remain high for the duration according to the resistance value. All four bits (bit 3–bit 0) function in the same manner; their digital pulse will all go high simultaneously and will reset independently according to the input resistance value.



The typical input to the Game Control Adapter is a set of joysticks or game paddles.

The joysticks will typically be a set of two (A and B). These will have one or two buttons each with two variable resistances each, with a range of 0 to 100 kilohms. One variable resistance will indicate the X coordinate and the other variable resistance will indicate the Y coordinate.

The joystick should be attached to give the following input data:

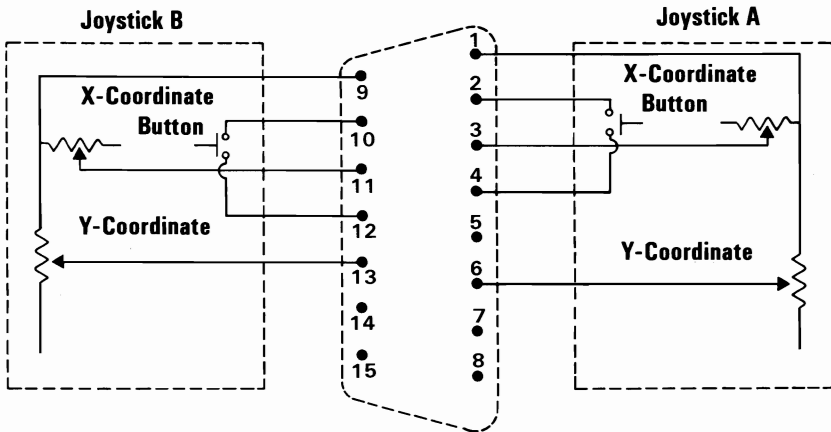
Bit 7	Bit 6	Bit 5	Bit 4	Bit 3	Bit 2	Bit 1	Bit 0
B-#2 Button	B-#1 Button	A-#2 Button	A-#1 Button	B-Y Coordinate	B-X Coordinate	A-Y Coordinate	A-X Coordinate

The game paddles will consist of two (A and B) or four (A, B, C, and D) paddles. These will have one button each and one variable resistance each, with a range of 0 to 100 kilohms. The game paddles should be attached to give the following input data:

Bit 7	Bit 6	Bit 5	Bit 4	Bit 3	Bit 2	Bit 1	Bit 0
D Button	C Button	B Button	A Button	D Coordinate	C Coordinate	B Coordinate	A Coordinate

The following “Joystick Schematic Diagram” may be used for attaching game controllers.

**15-Pin Male D-Shell  
Connector**

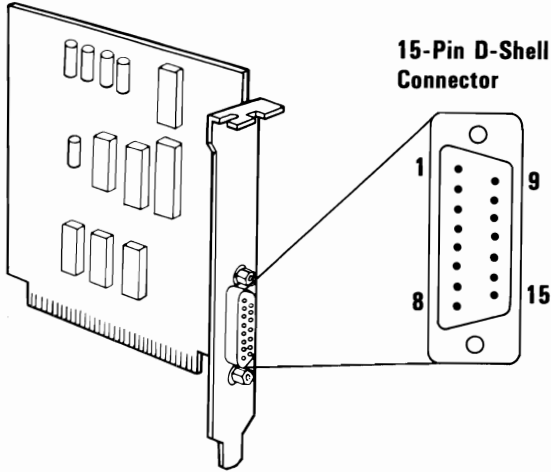


**Note:** Potentiometer for X- and Y-Coordinates has a range of 0 to 100 k-ohms. Button is normally open; closed when pressed.

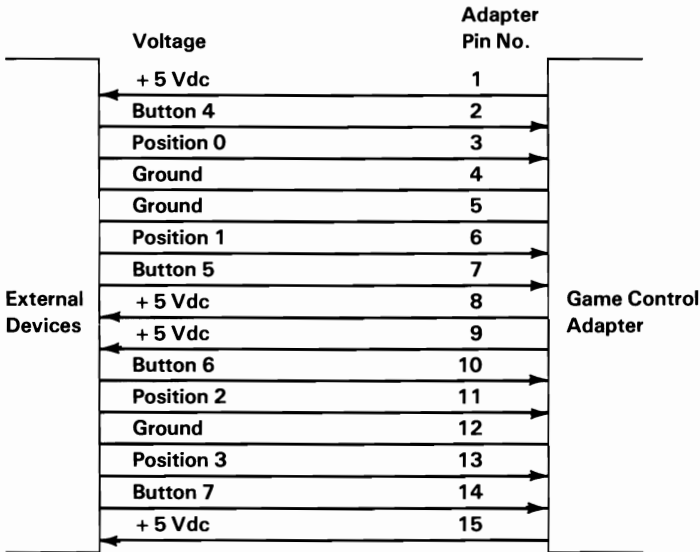
**Joystick Schematic Diagram**

**6 Game Control Adapter**

# Specifications



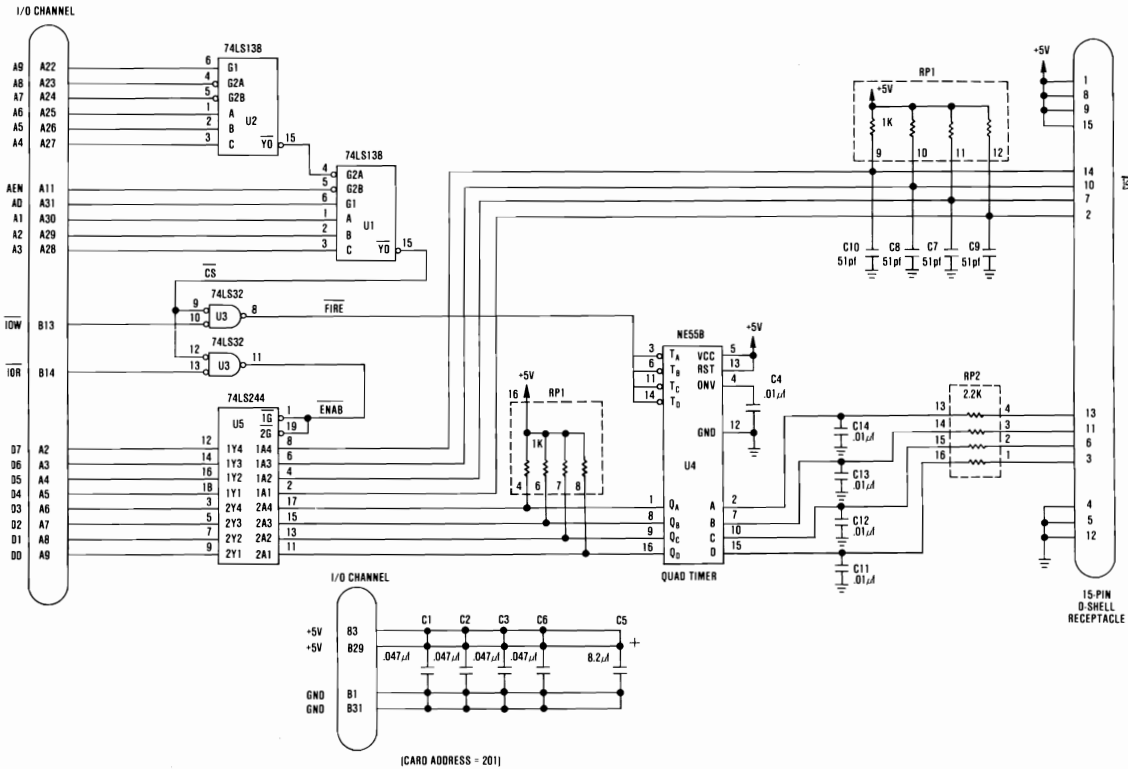
At Standard TTL Levels



## Connector Specifications



# Logic Diagram



BUTTONS

15-PIN  
D-SHELL  
RECEPTACLE

[CARD ADDRESS - 201]

# Notes:

